



FOSHAN HK BUILDING MATERIAL COMPANY

Bathroom hardware accessories

One-stop solution for your Self-built houses or construction projects

Save your time, Save your cost!

stainless steel materials

52500 series



52511



52551



52558



52524



52559



52548



52560



52590



52592



52598

70200 series



70212



70251



70256



70202



70257



70260



70224



70248



70258



70263



70290



70298



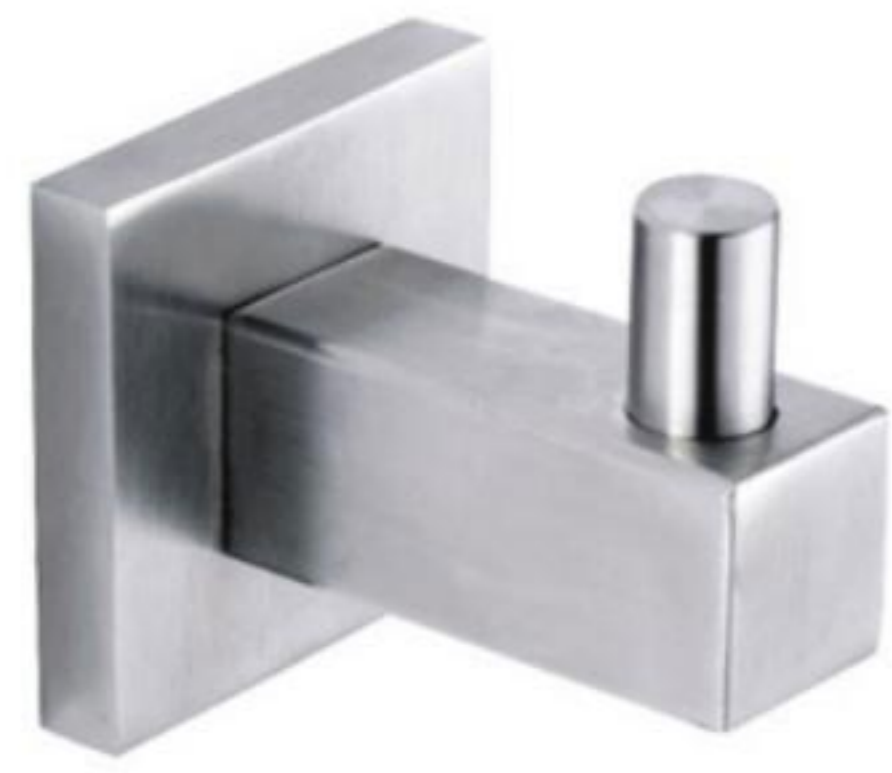
70259



70292

stainless steel materials

70500 series



70511



70551



70558



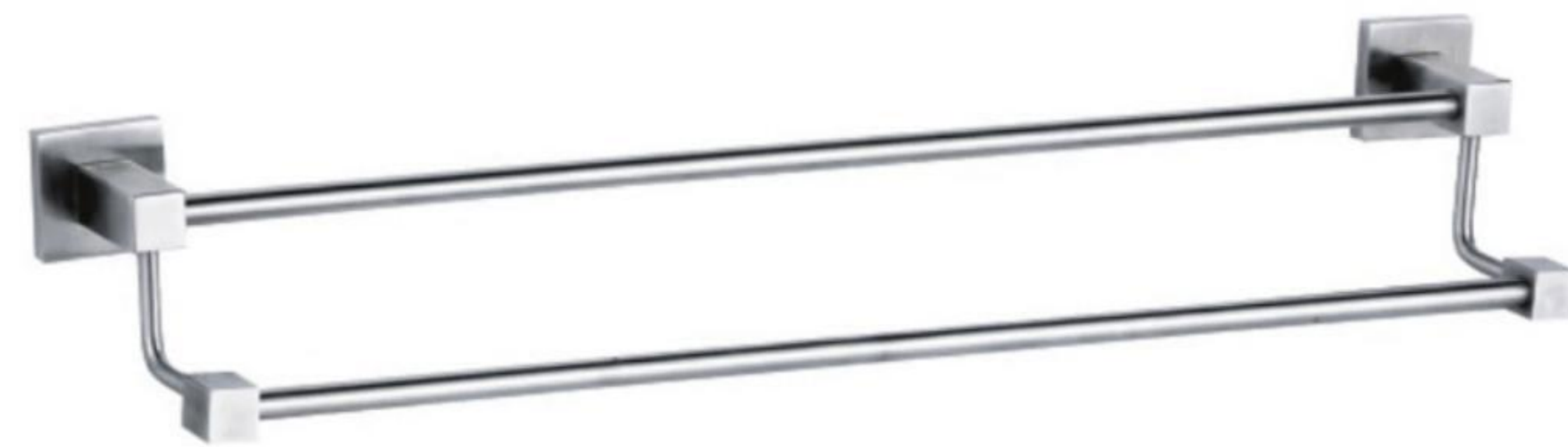
70524



70559



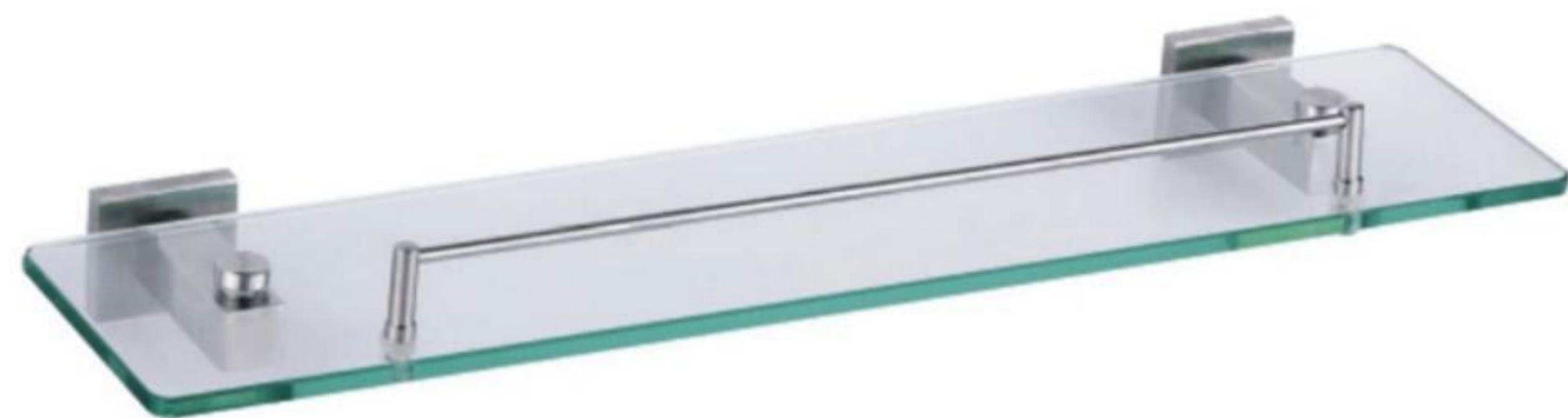
70548



70548B



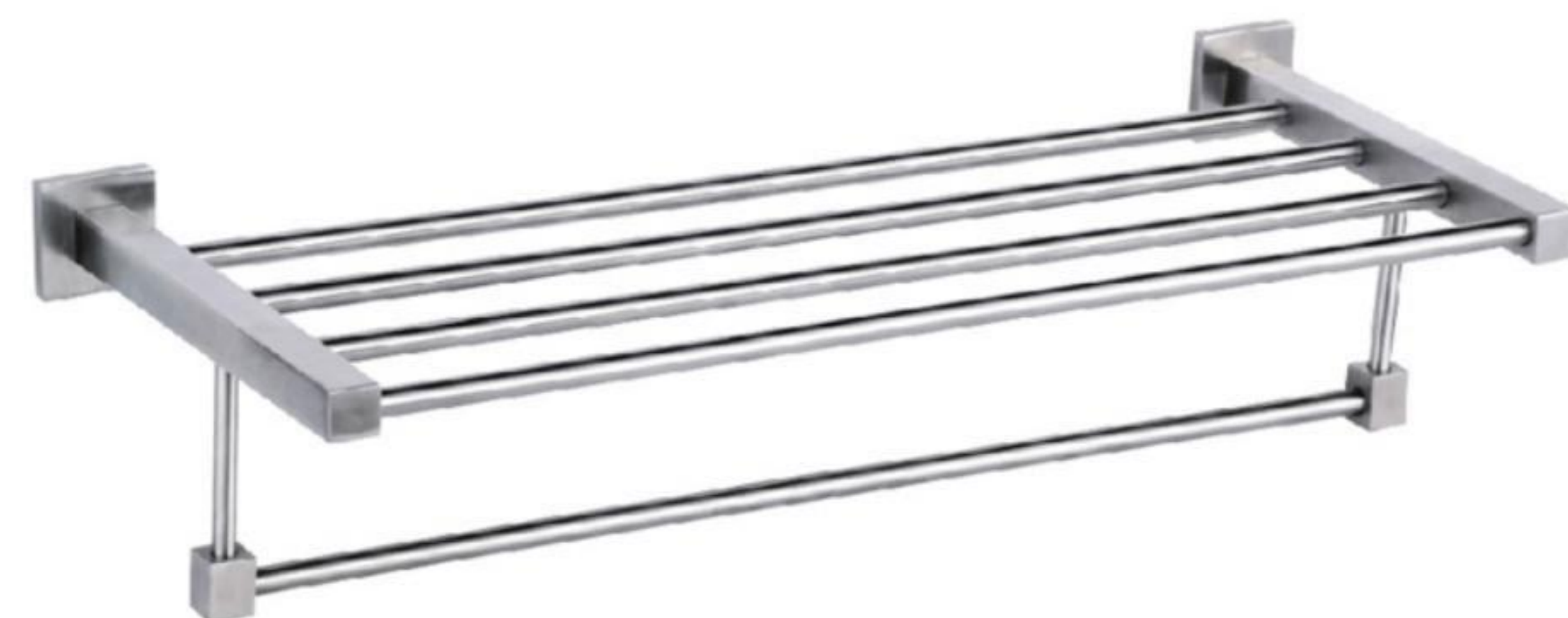
70560



70590



70592



70598

70700 series



70711



70751



70756



70702



70757



70724



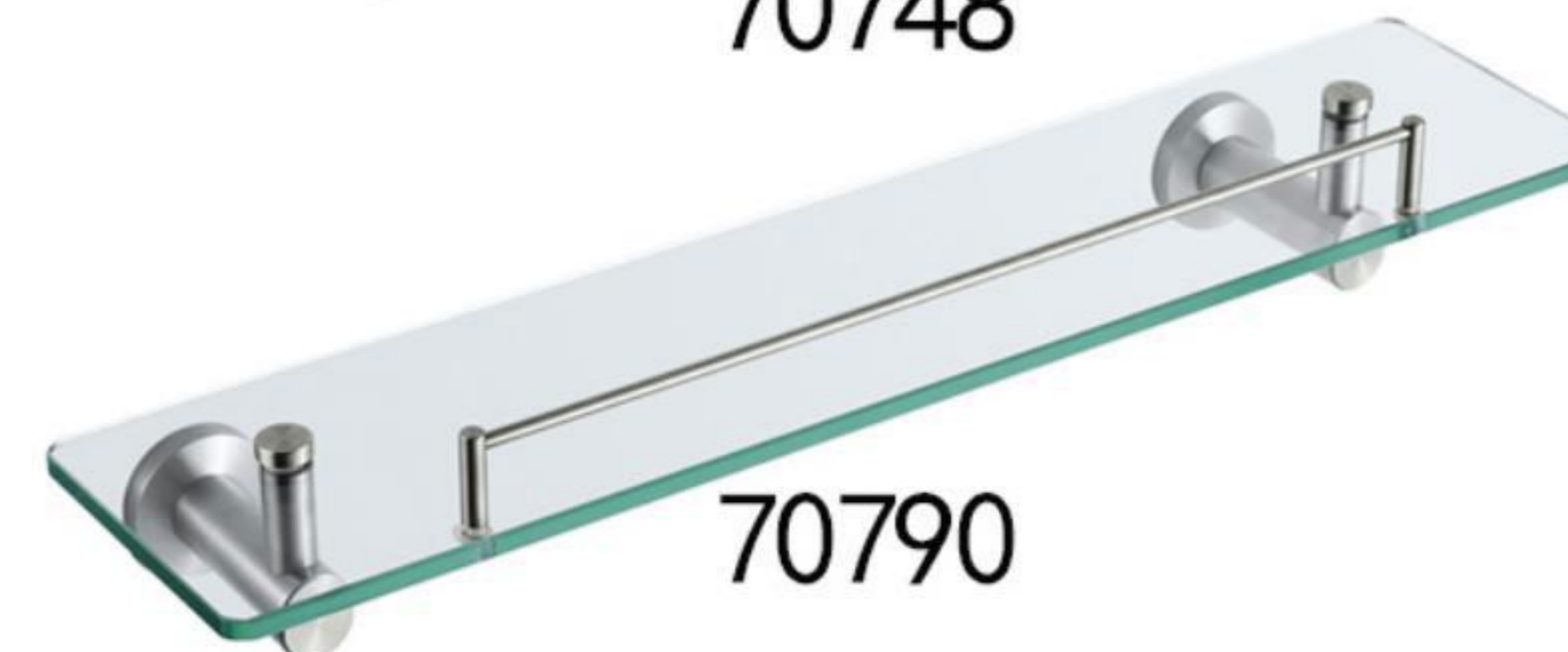
70758



70748



70759



70790



70760



70798



70792

commodity shelf



SB-050



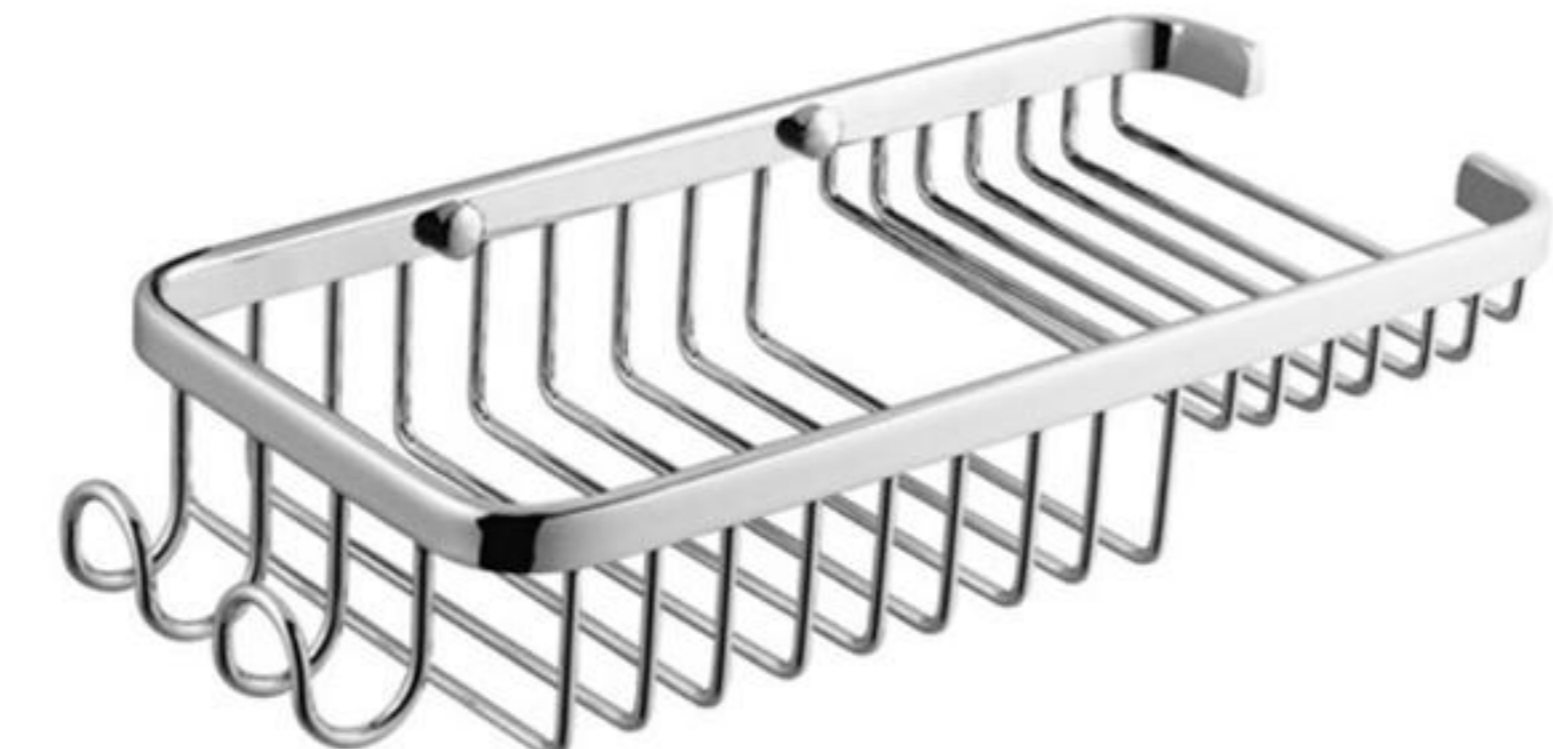
SB-3613F



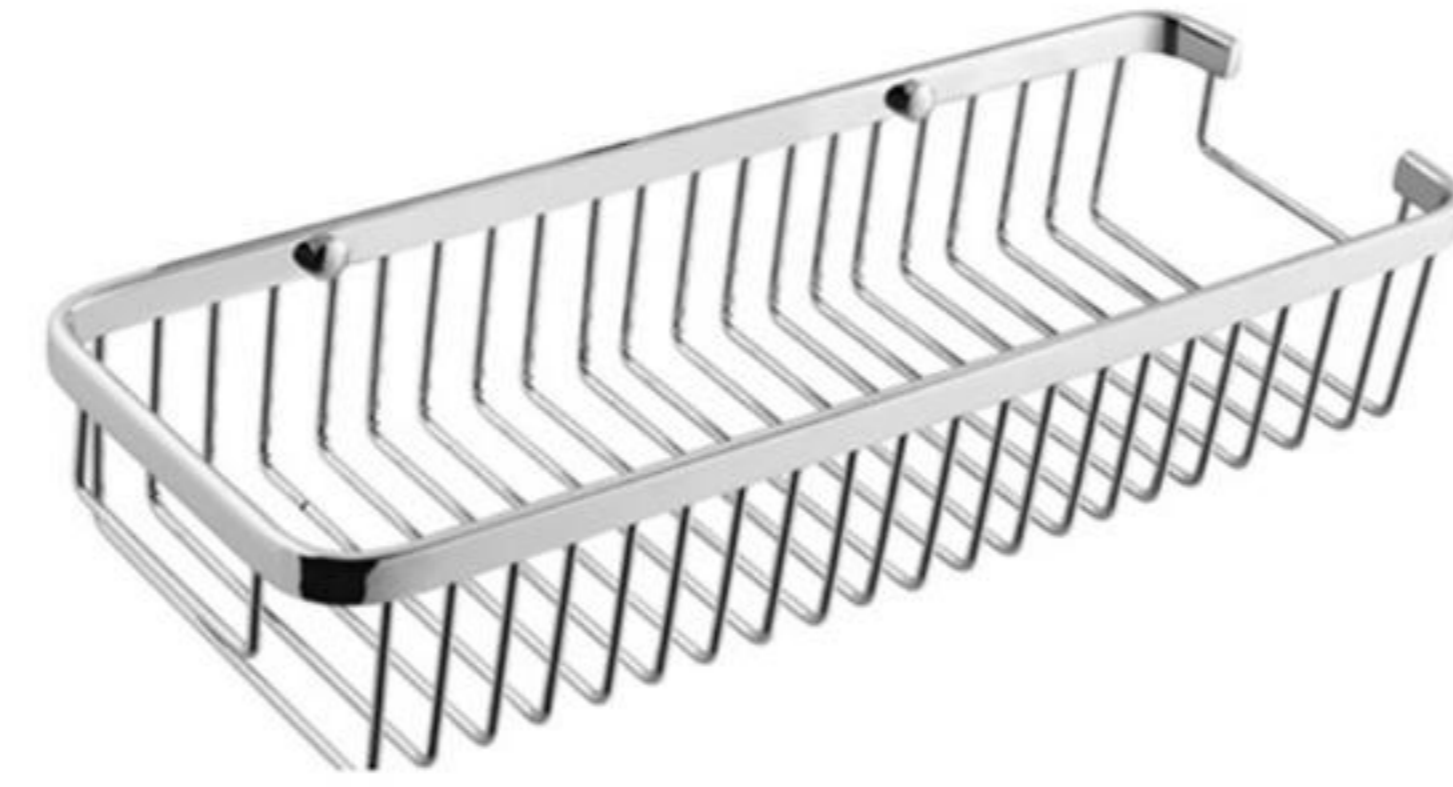
SB-20205A



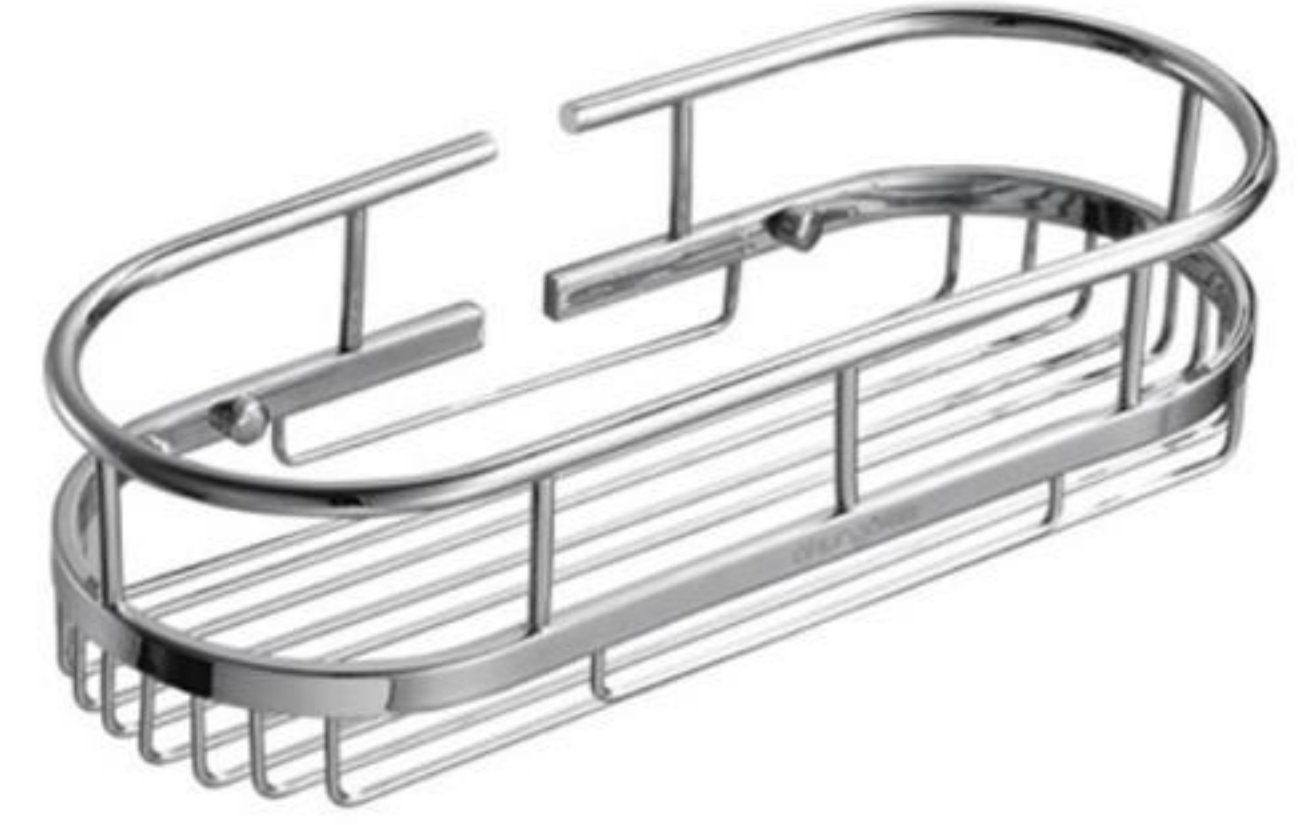
SB-20206



SB-26125



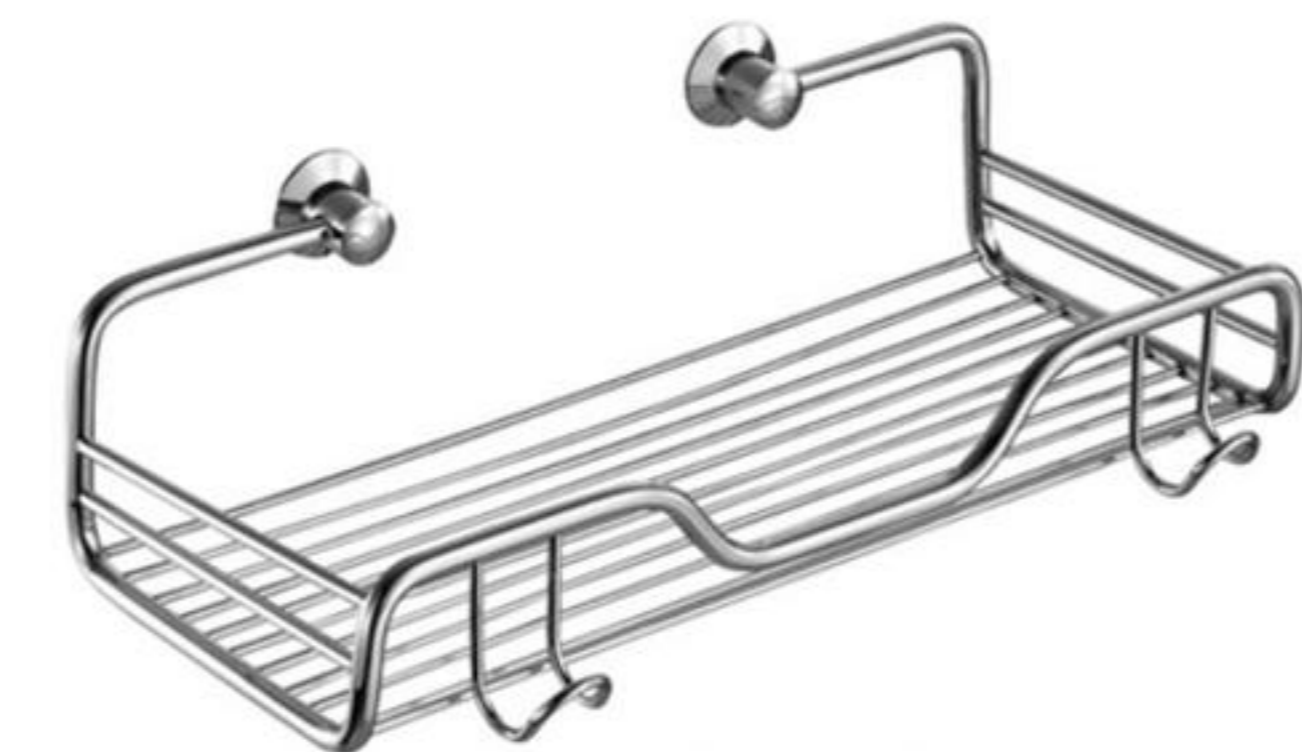
SB-26126



SB-31128



SB-31139



SB-311179



8001G



8002



8002G



SB-26132F



SB-2020542



SB-2020629



SB-2613875



SB-17170526



8001



SF-07



SF-17



SF-27



SF-03



TS-01

the material of copper

00300 series



00312



00351



00356



00357



00358



00359



00360



00363



00392



00324



00390



00348



00398



00355



00398B

51100 series



51112



51151



51158



51159



51160



51124



51148



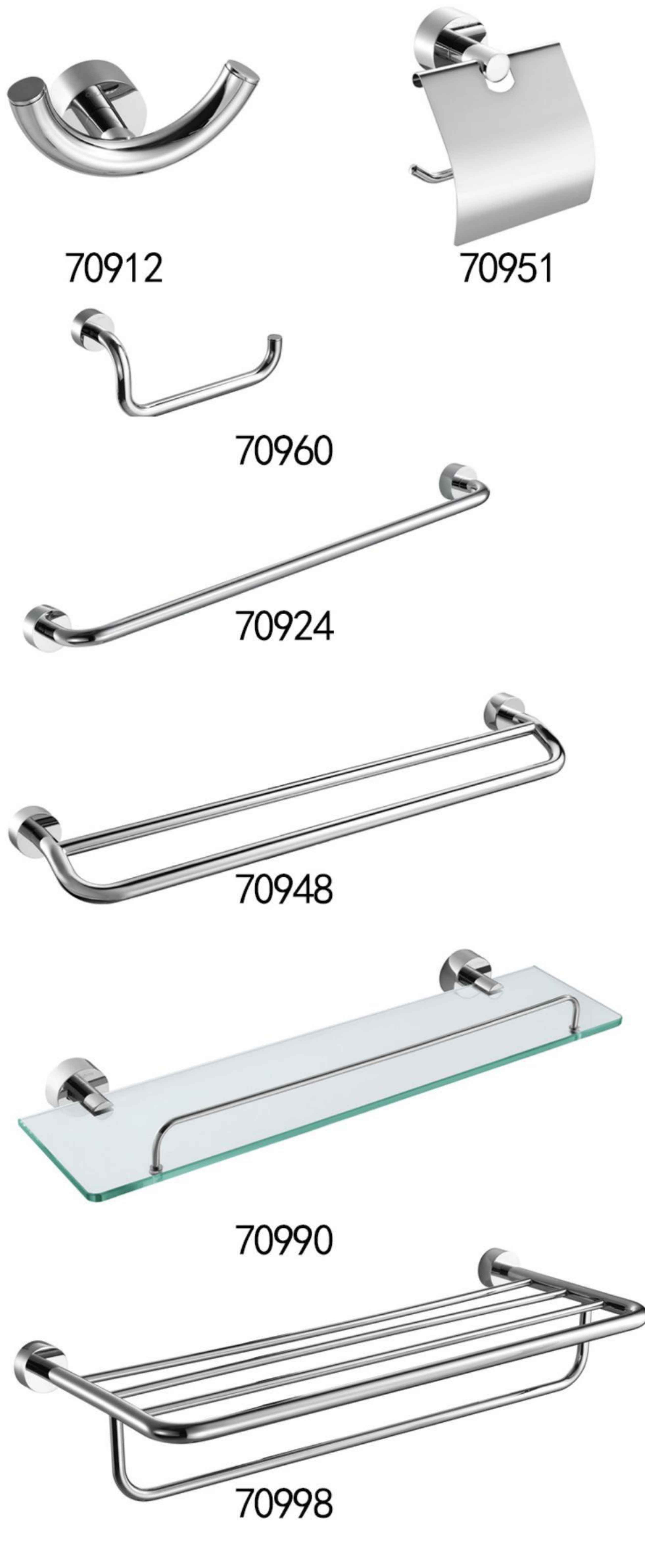
51198



51192

the material of copper

70900 series



80600 series



the material of copper

80900 series



80912



80951



80956



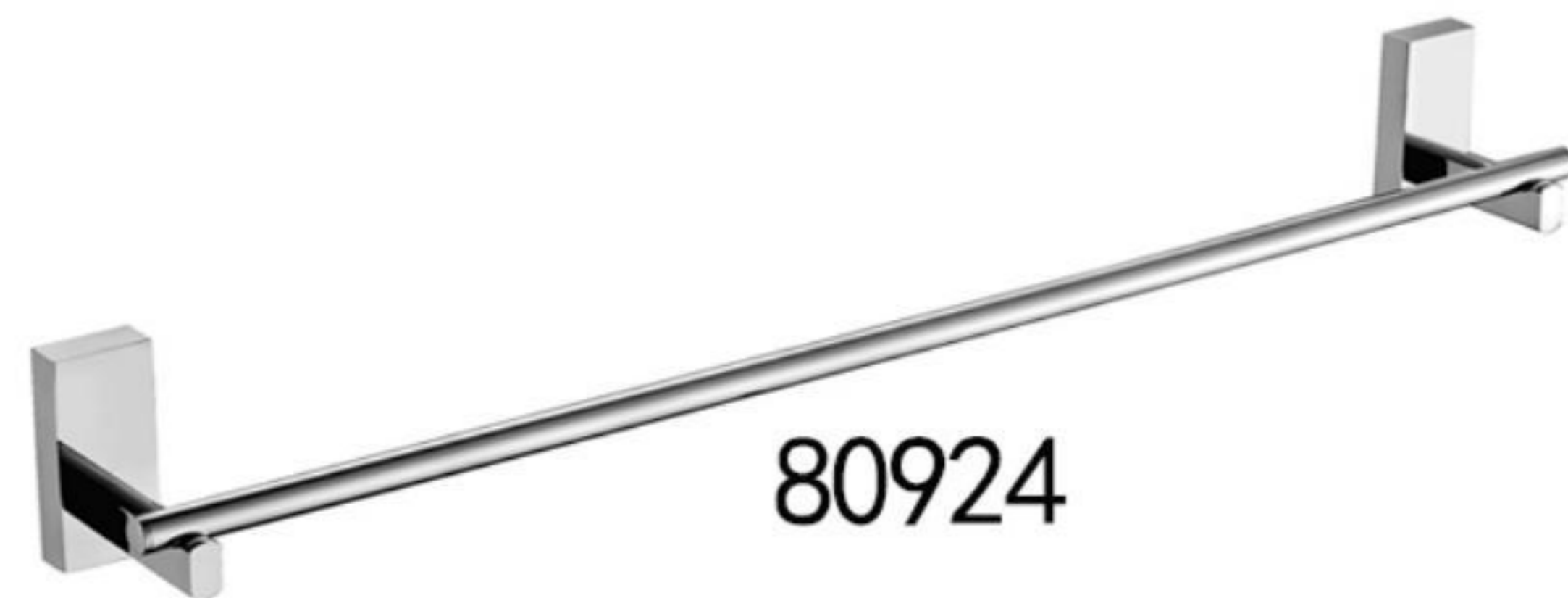
80957



80958



80959



80924



80960



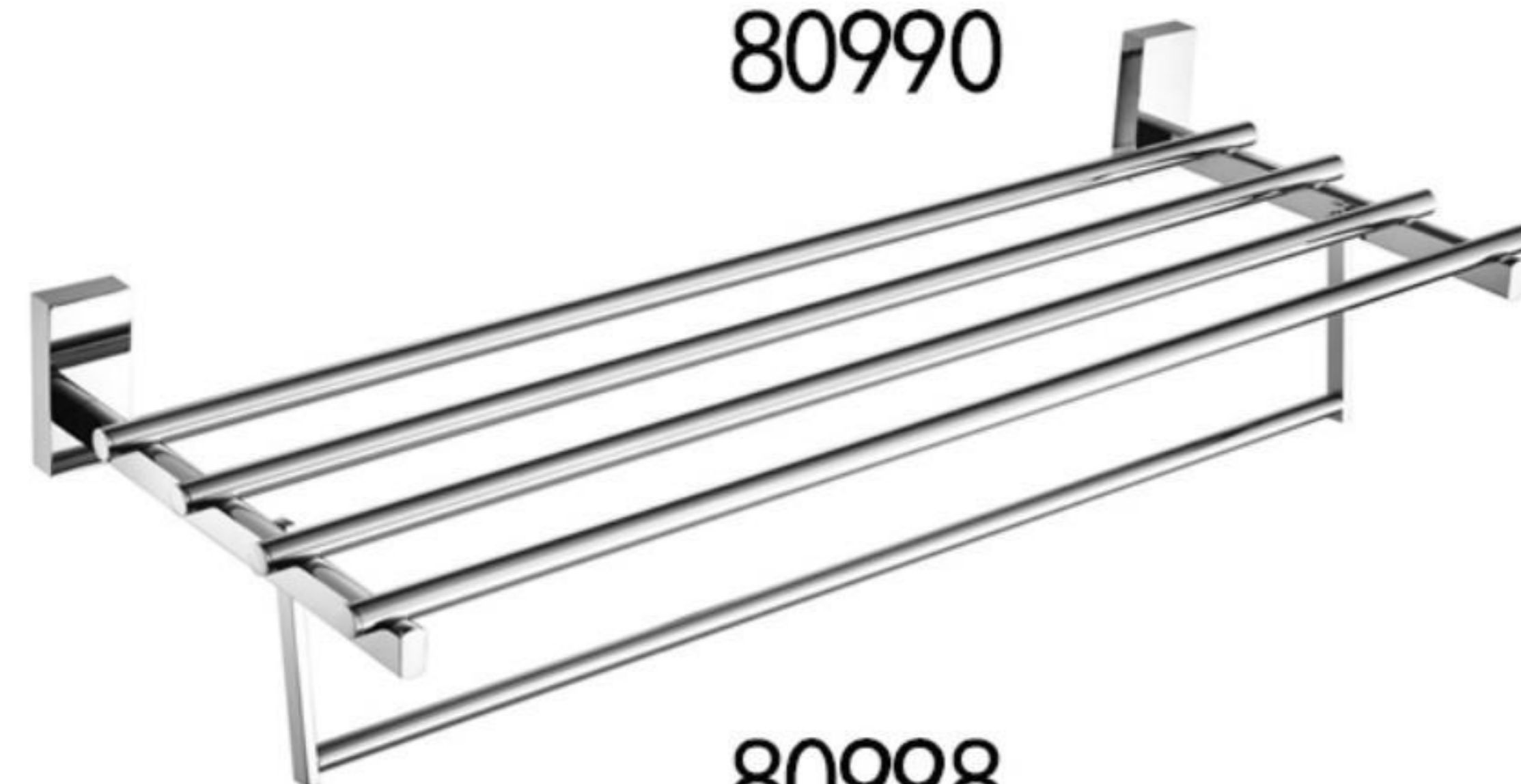
80948



80963



80990



80998



80992

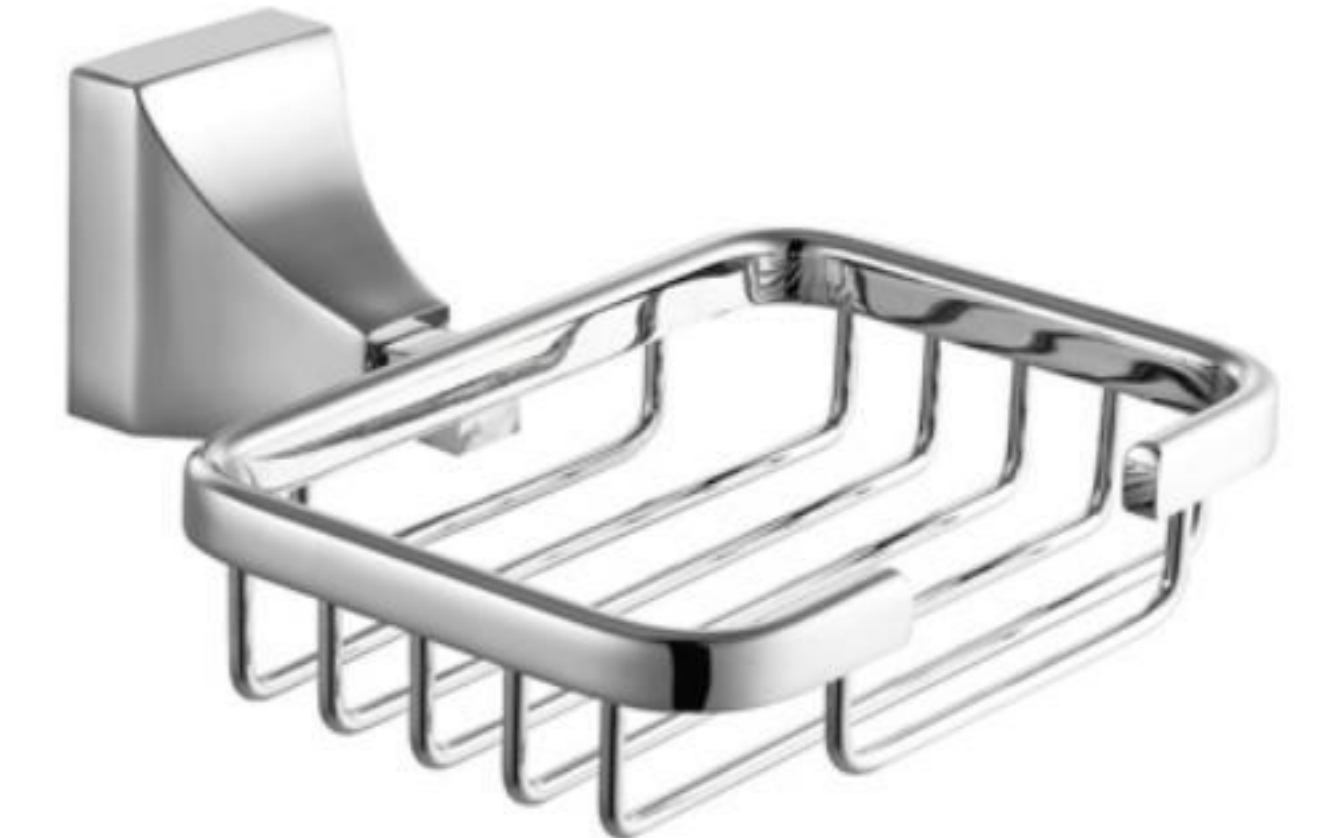
81200 series



81212



81251



81256



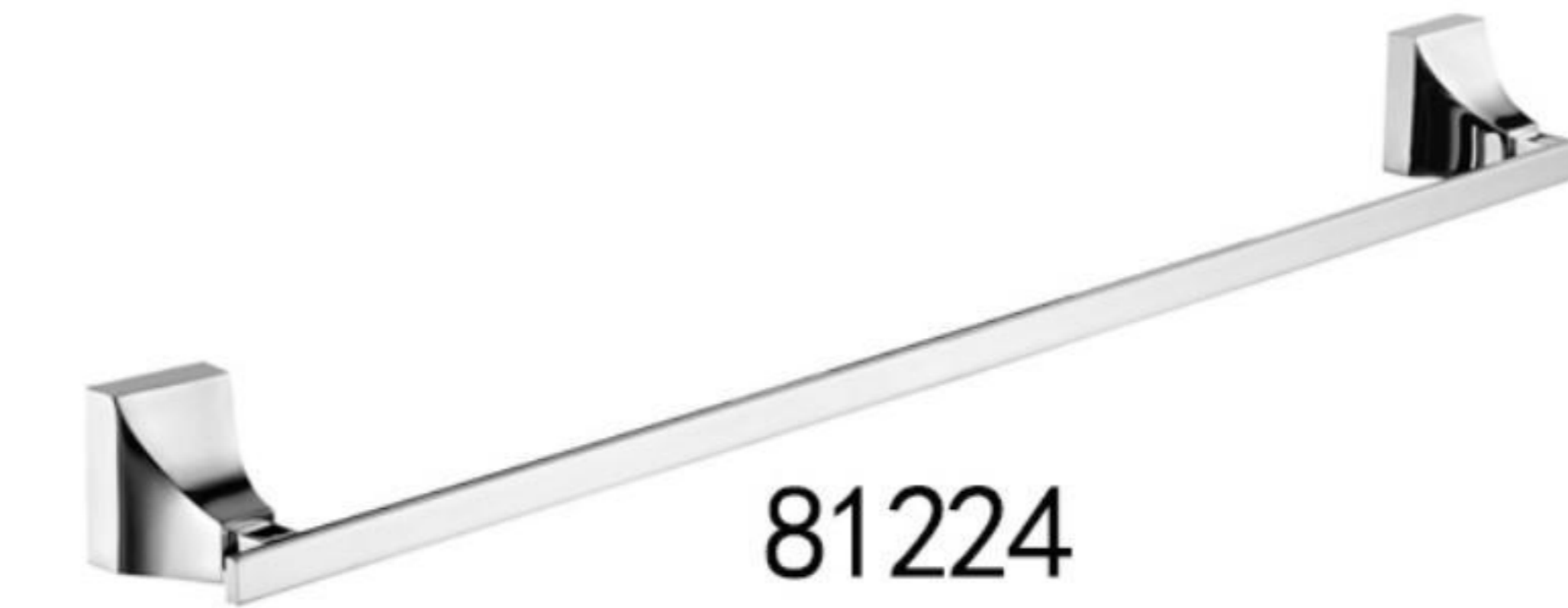
81257



81258



81259



81224



81260



81248



81263



81290



81298



81292

the material of copper

81300 series



81311



81350



81351



81356



81357



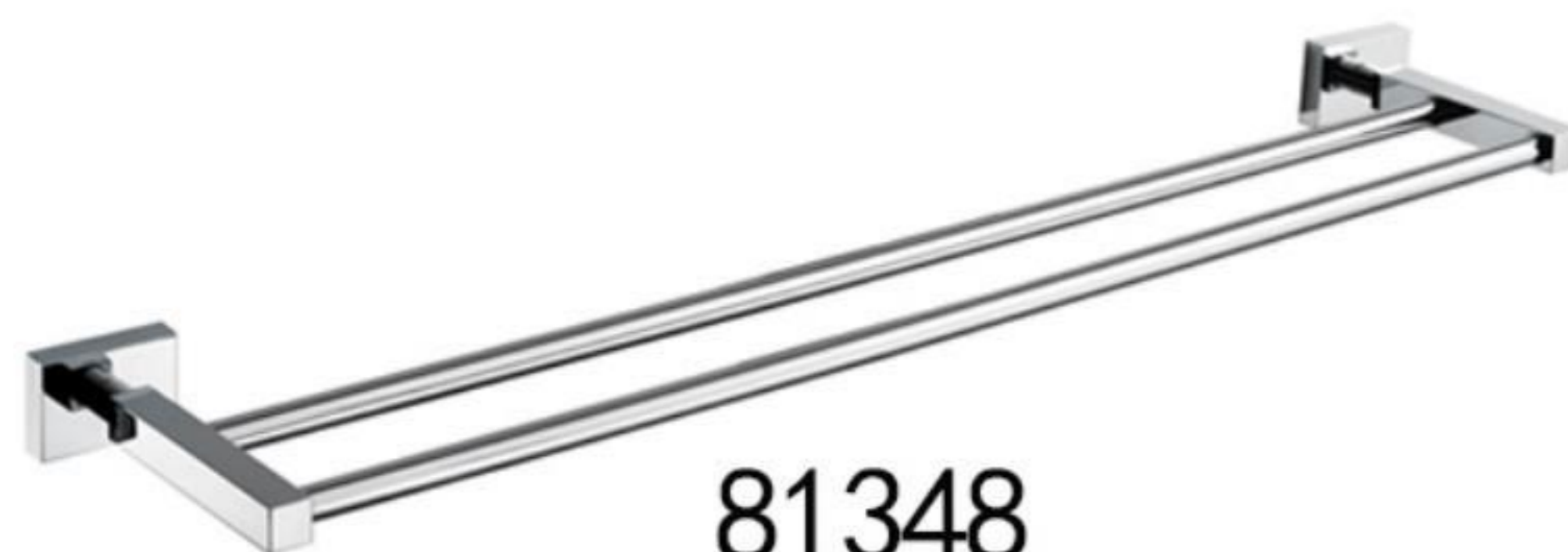
81358



81324



81359



81348



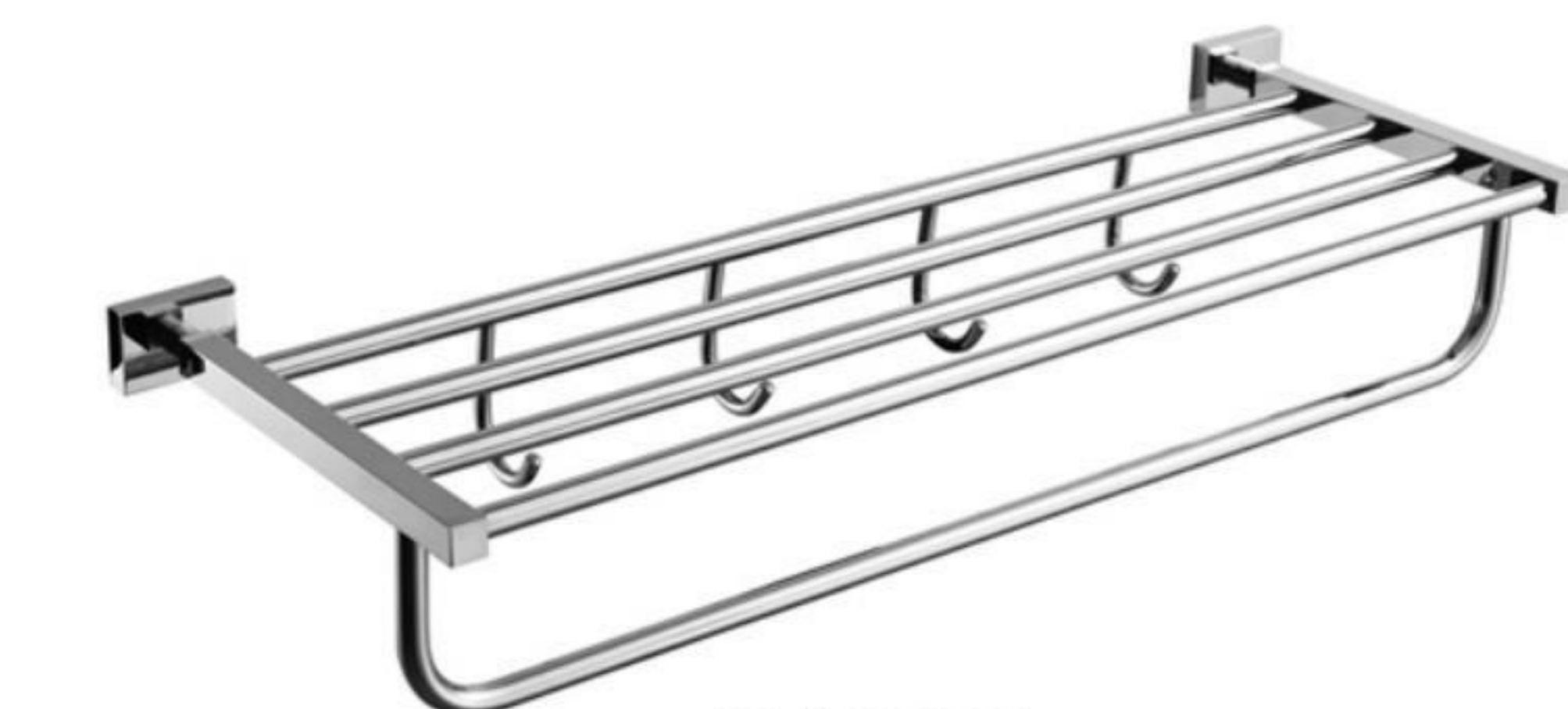
81360



81390



81392



81398

85300 series



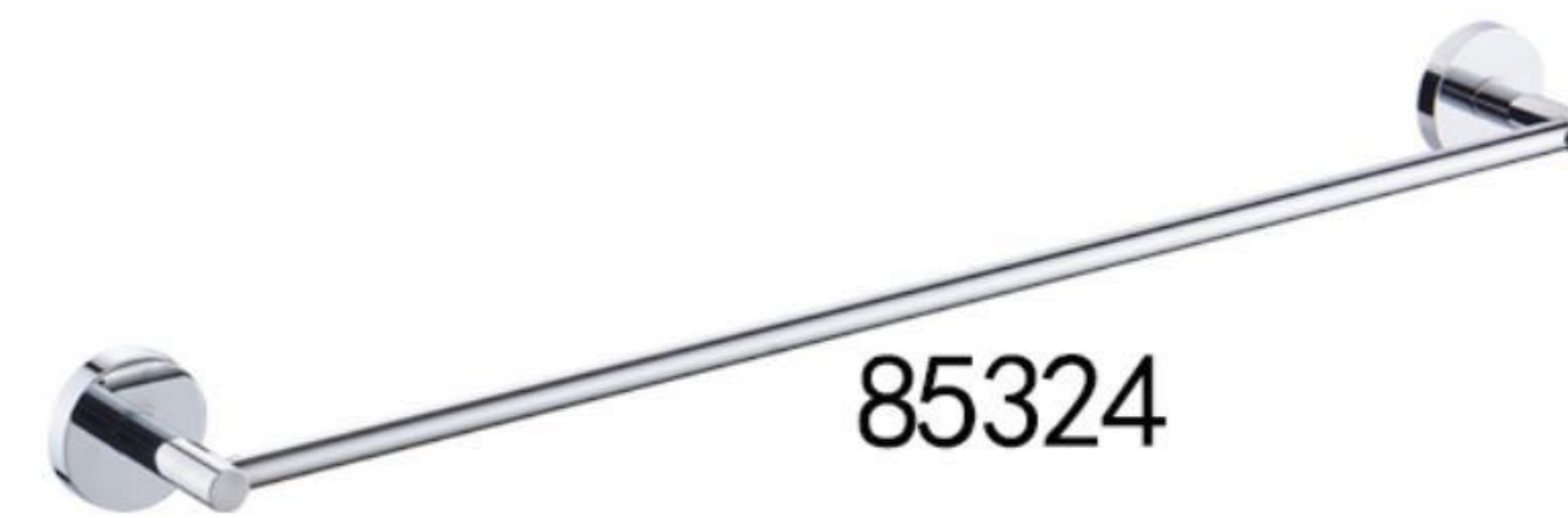
85311



85351



85358



85324



95359



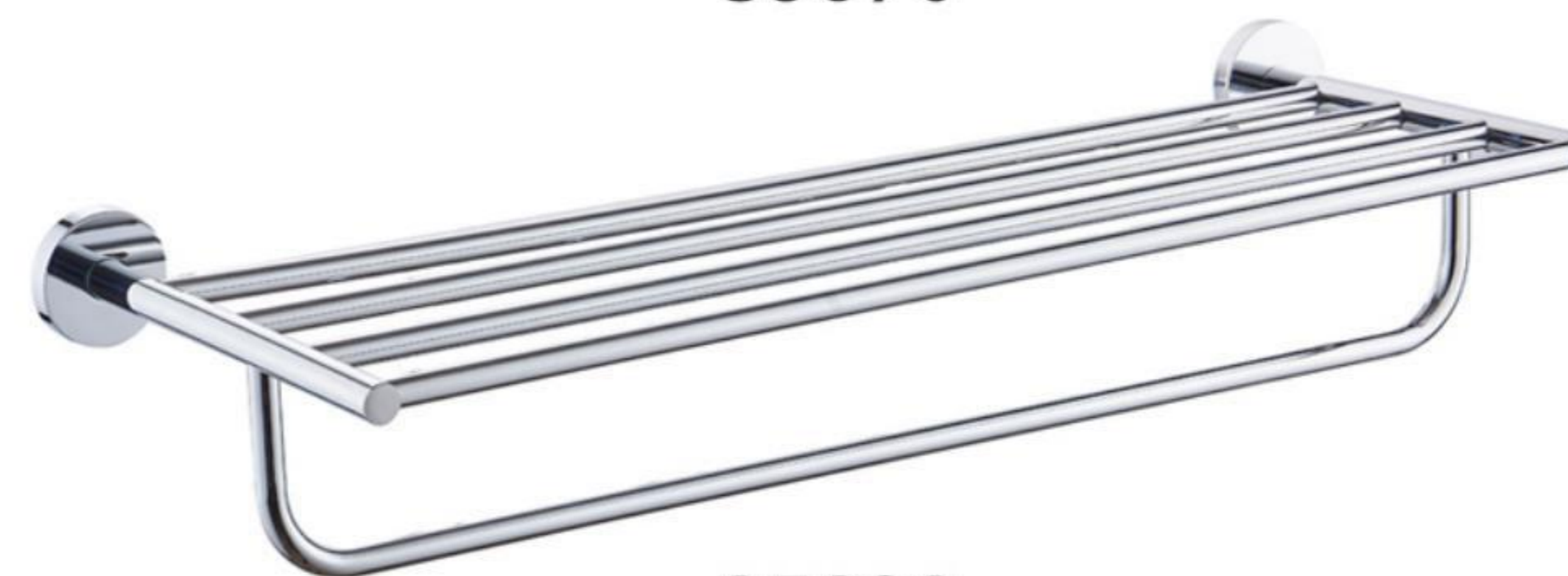
85348



85390



85360



85398



85398B



85392

the material of copper

6700 series



6712



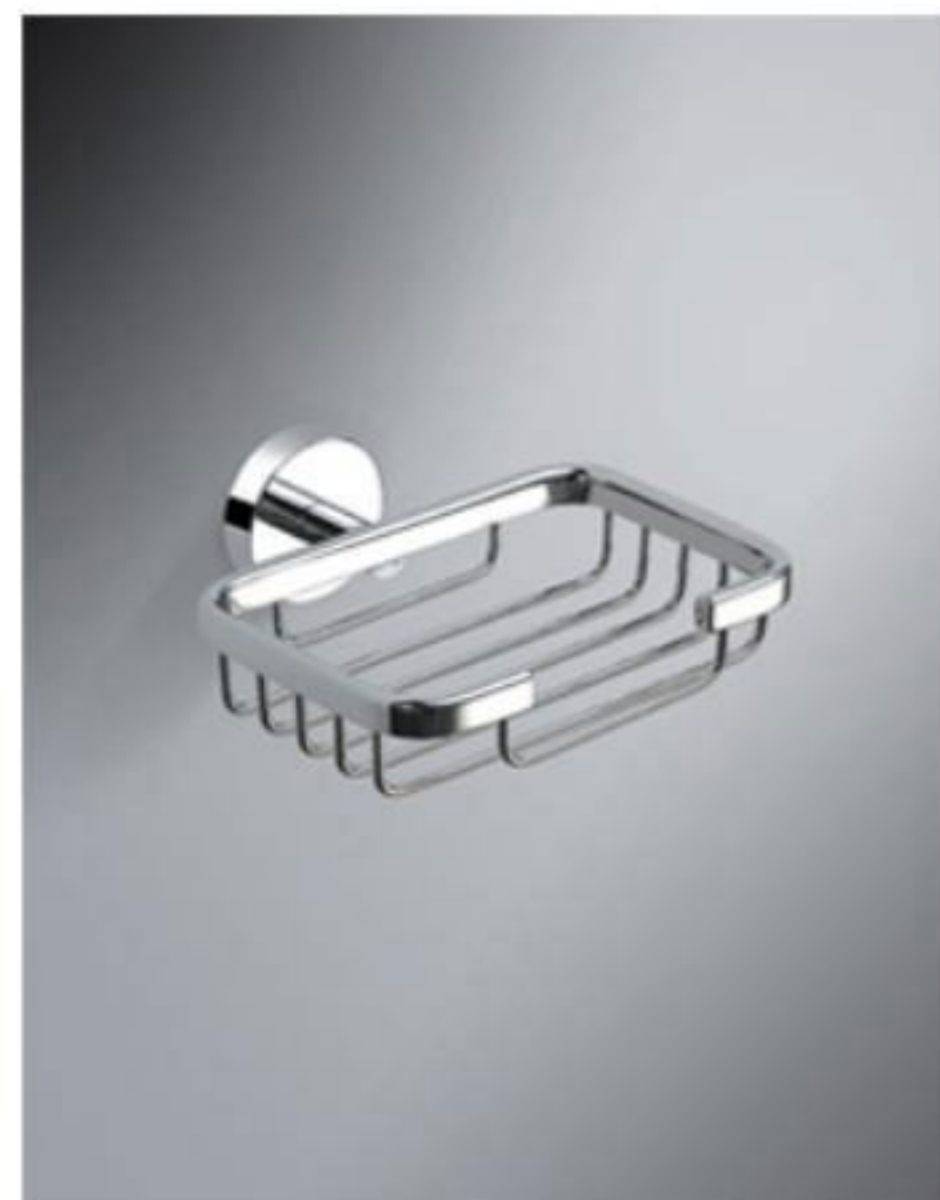
6750



6724



6751



6756



6790



6757



6758



6748



6759



6760



6798

10600 series



10624



10611



10650



10648



10651



10658



10661



10659



10660



10690



10660B



10692

the material of copper

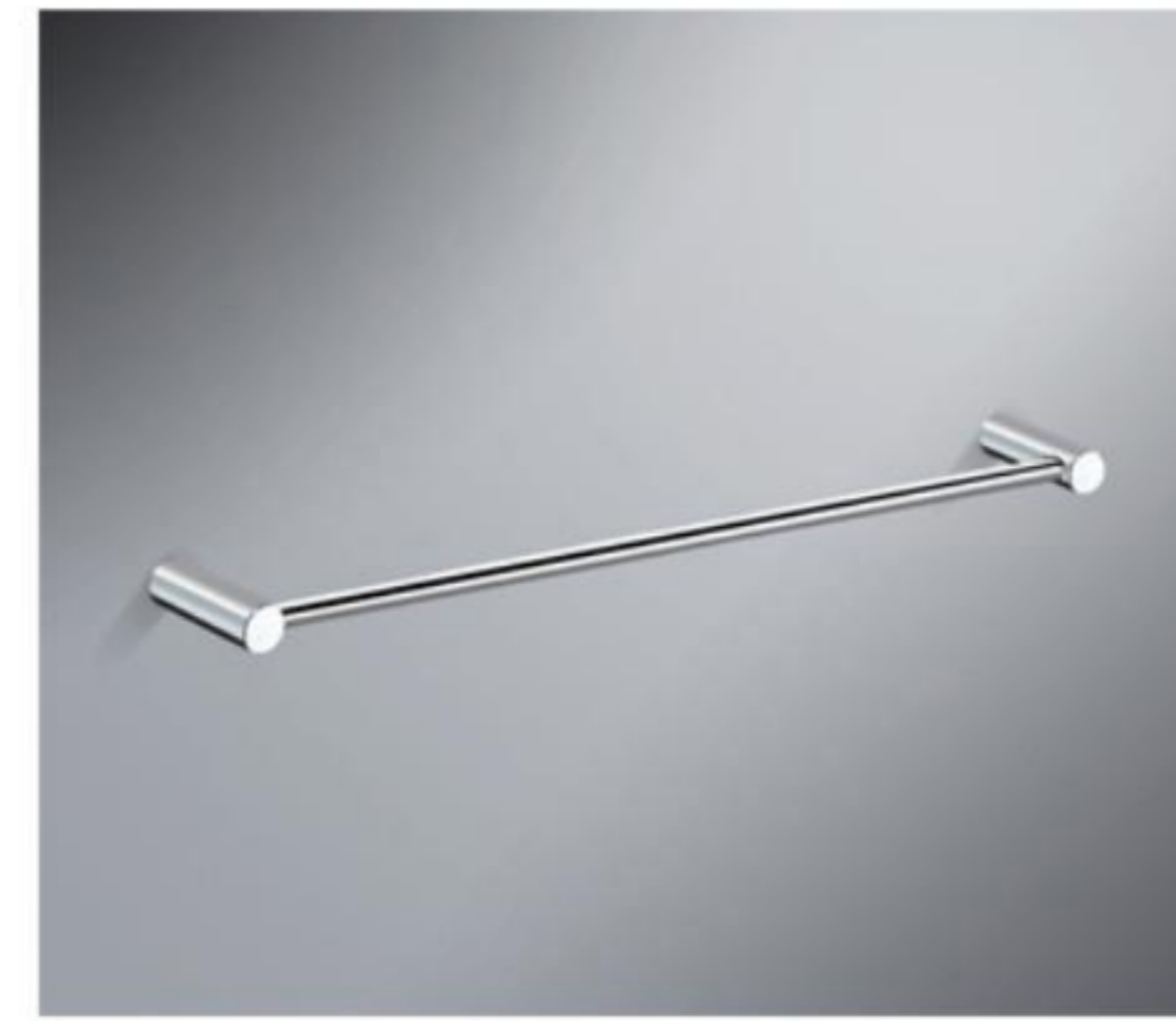
20100 series



20111



20151



20124



20158



20159



20148



20160



20160B



20190



20192



20198

20300 series



20324



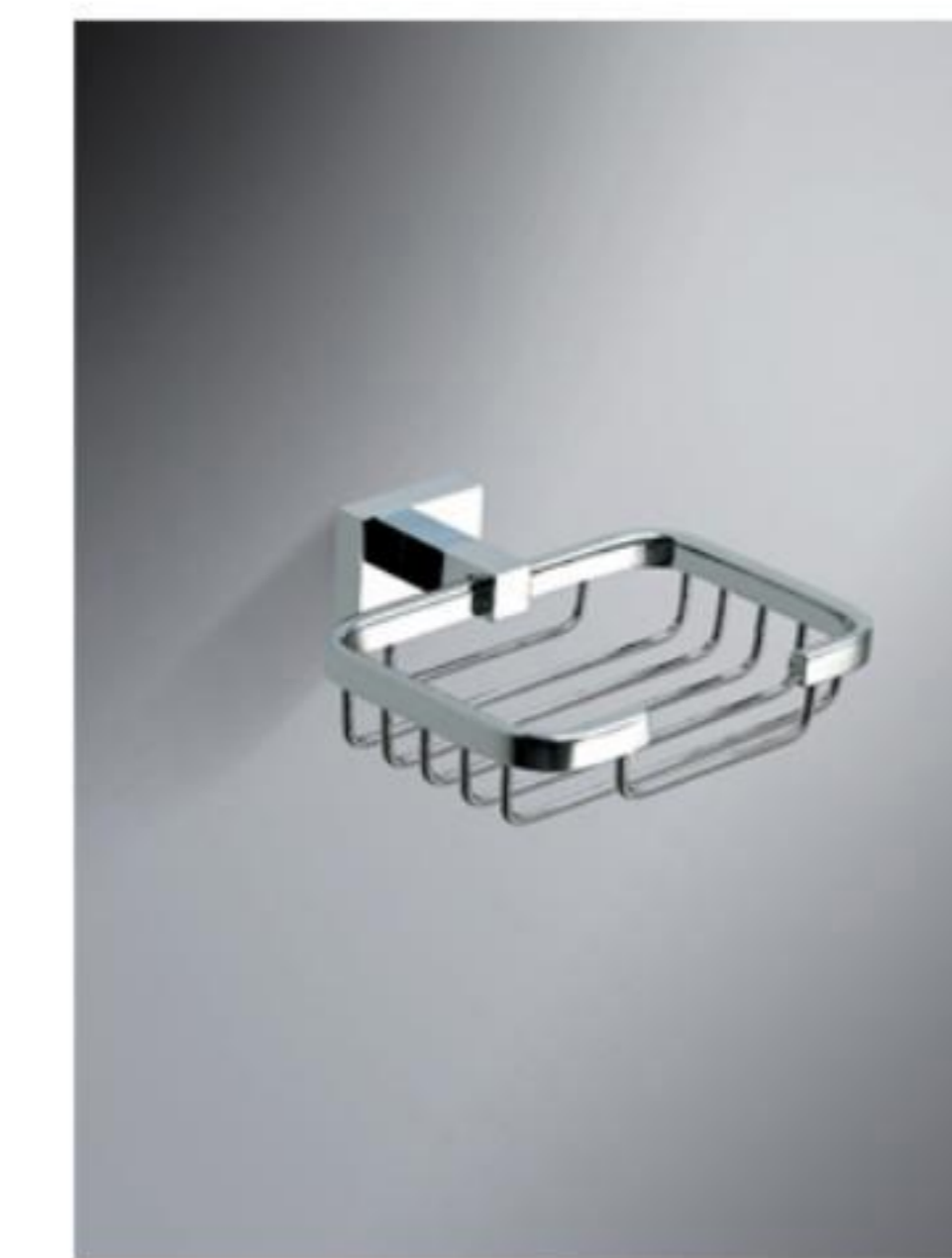
20311



20349



20348



20356



20357



20351



20358



20359



20398



20360



20392

the material of copper

82300 series



82310



82311



82324



82351



82356



82348



82358



82359



82390



82360



82363



82398

82800 series



82824



82812



82850



82848



82851



82856



82890



82857



82858



82898



82859



82860

the material of copper

81800G series



81811



81851



81856



81857



81858



81859

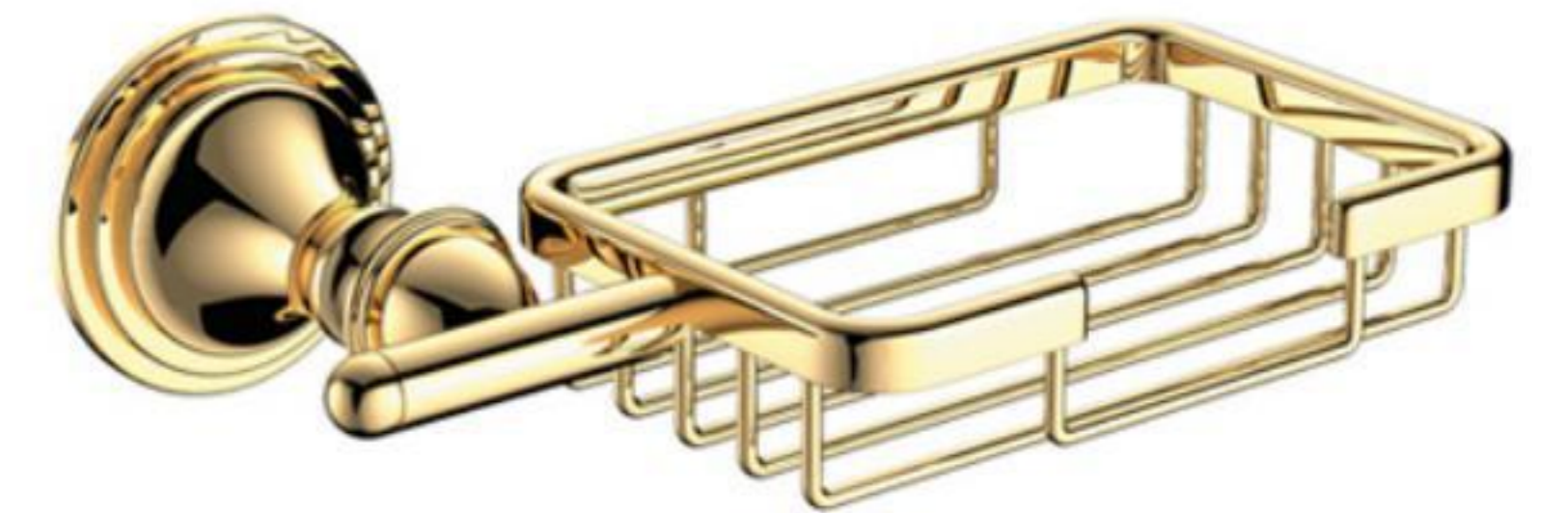
81800G series



81811G



81851G



81856G



81857G



81858G



81859G



81824



81824G



81848



81860



81848G



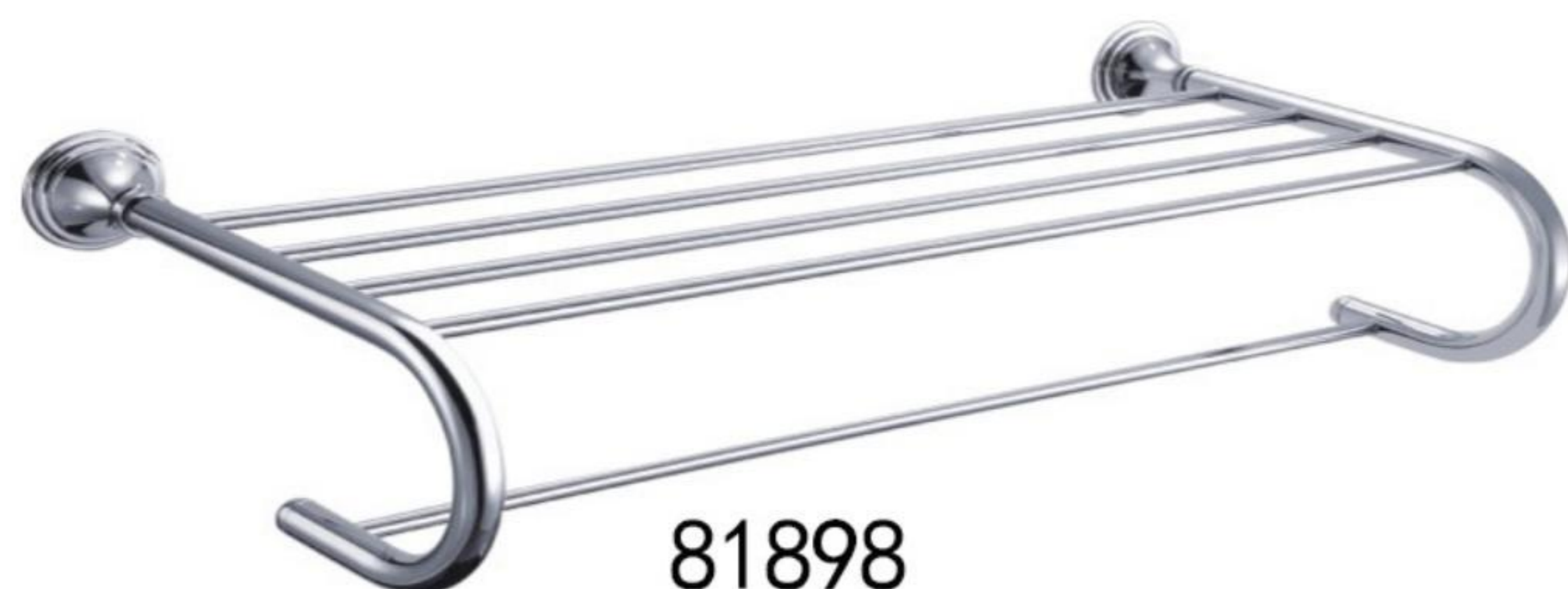
81860G



81890



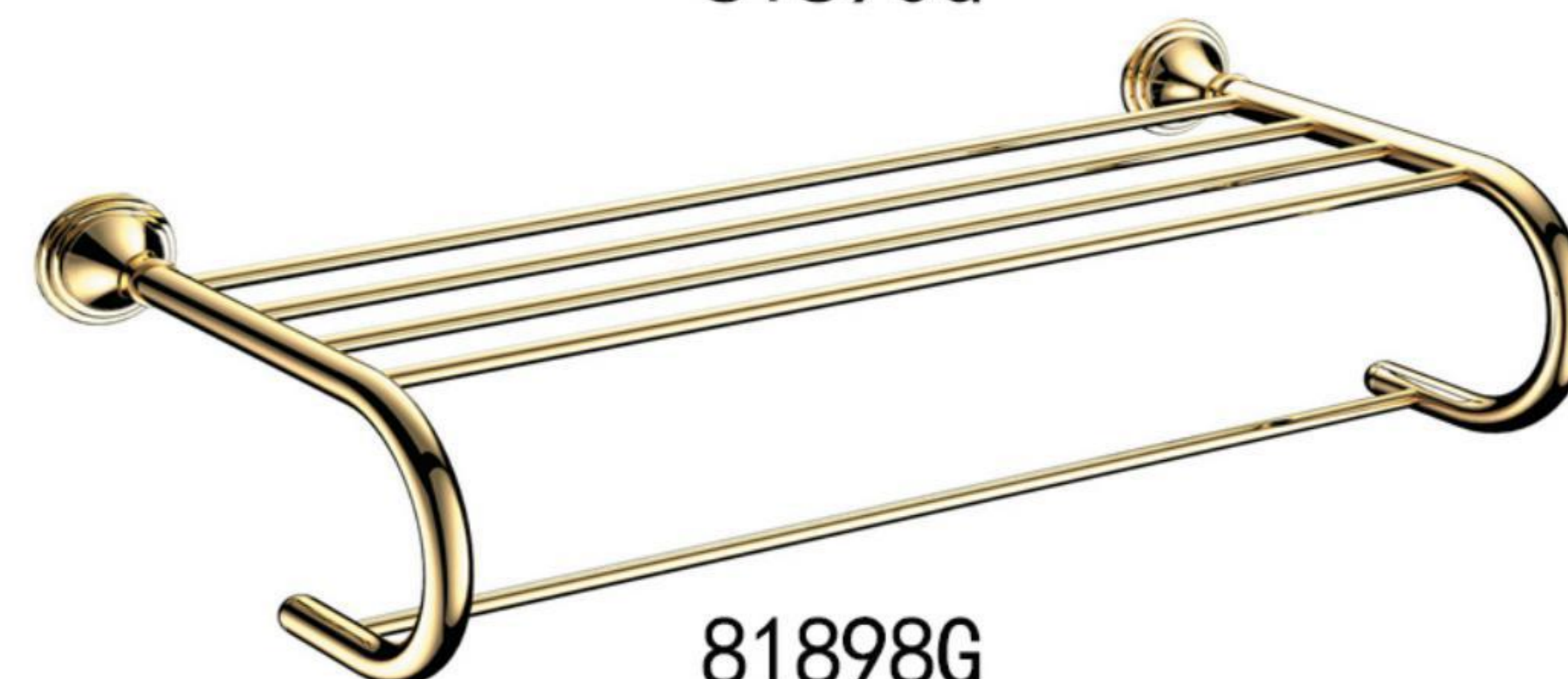
81890G



81898



81892



81898G



81892G

the material of copper

85000 series



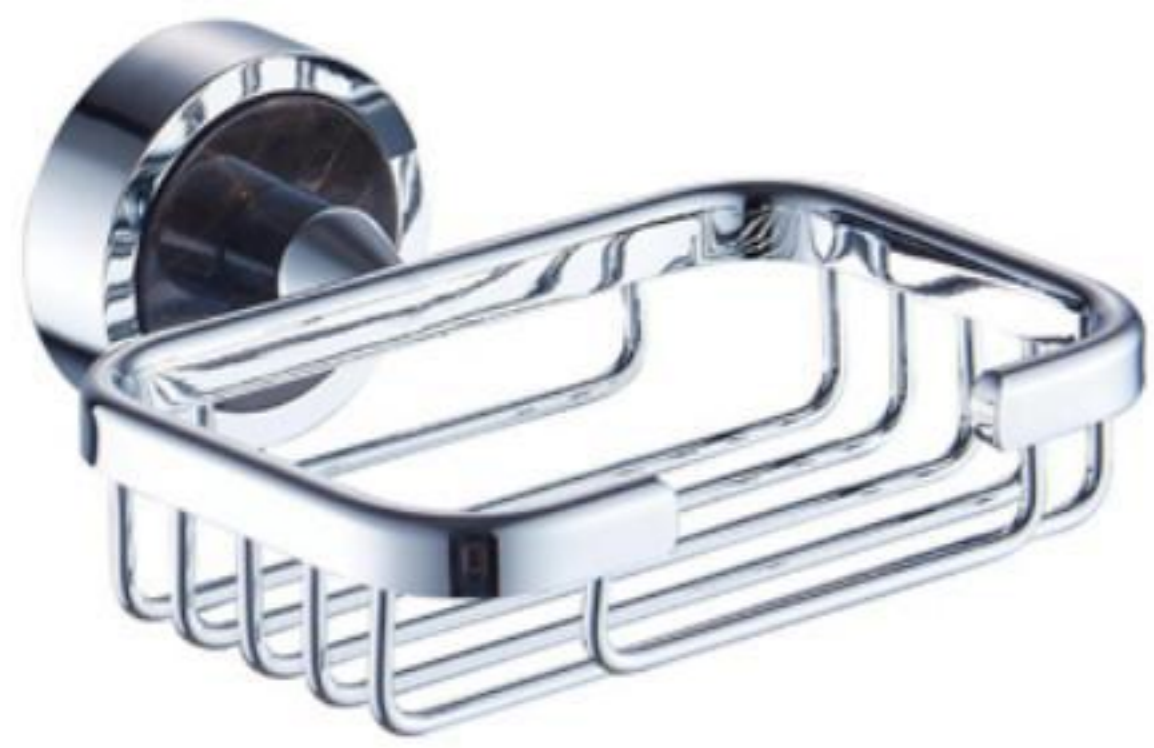
85012



85050



85051



85056



85057



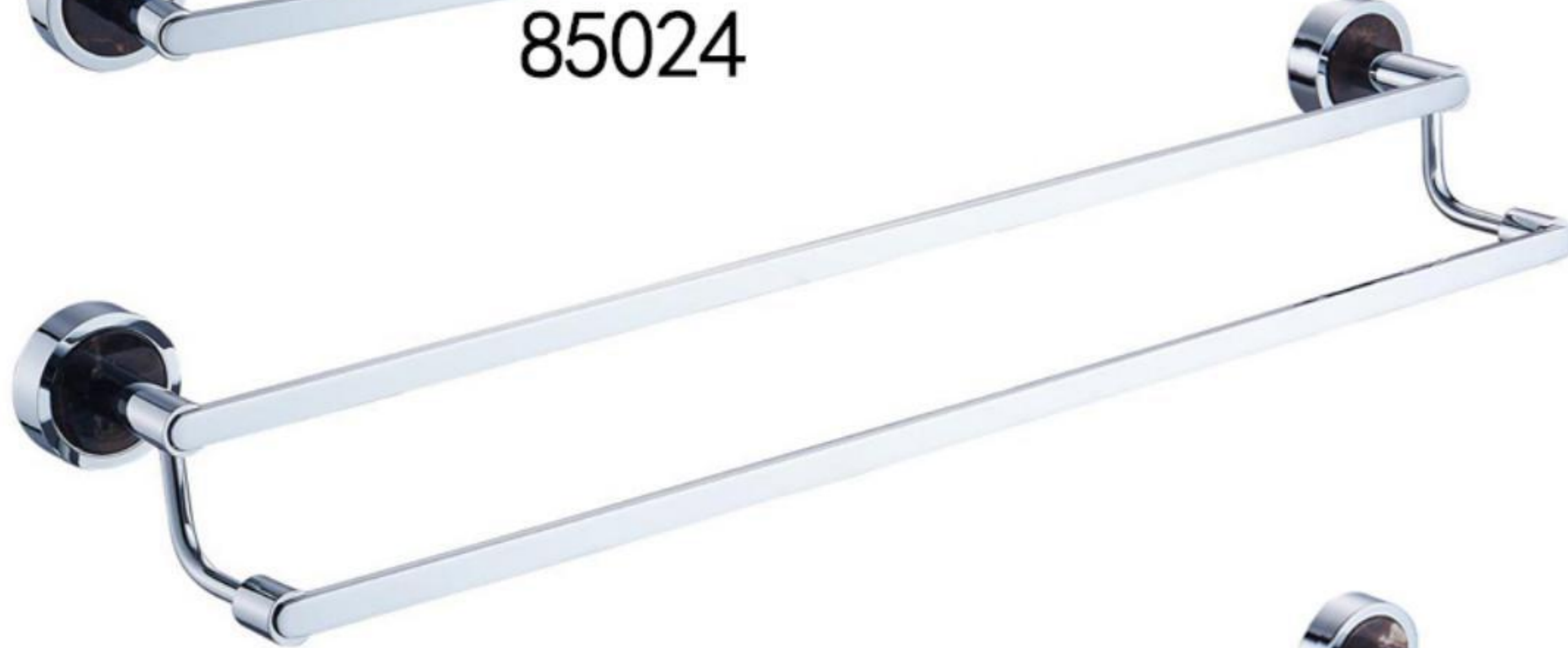
85058



85024



85059



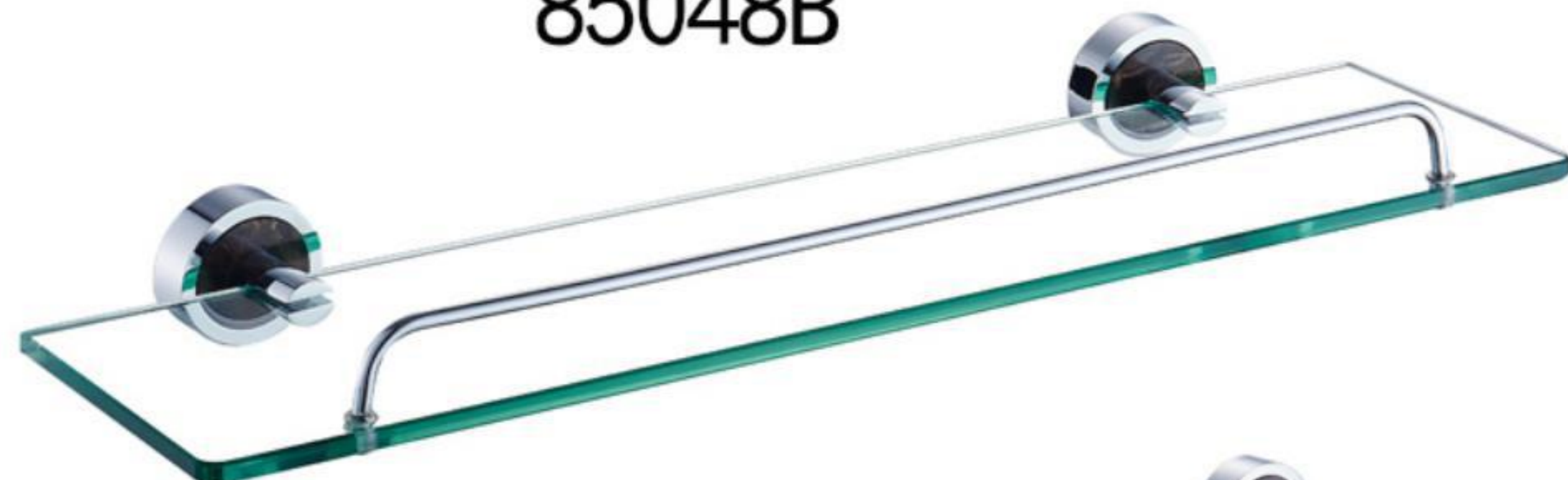
85048



85060



85048B



85090



85065



85098



85066

85000G series



85012G



85050G



85051G



85056G



85057G



85058G



85059G



85060G



85065G



85024G



85056G



85066G



85048G



85098G



85092G

the material of copper

71200 series



71212



71224



71248



71250



71251



71256



71257



71258



71259



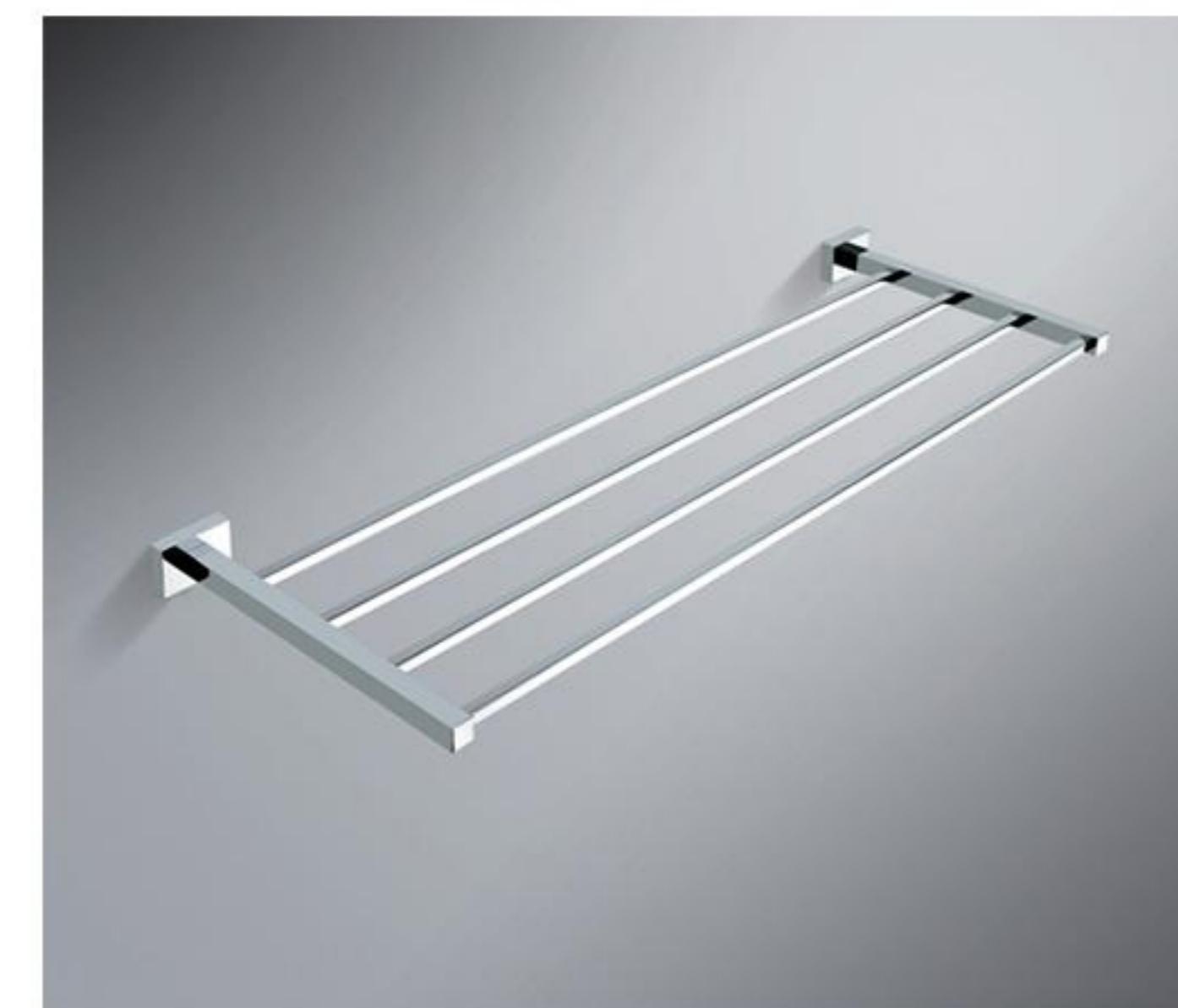
71260



71290



71292



71297

80700 series



80711



80724



80748



80750



80751



80758



80759



80760



80790



80798

the material of copper

81700 series



81711



81724



81748



81751



81756



81757



81758



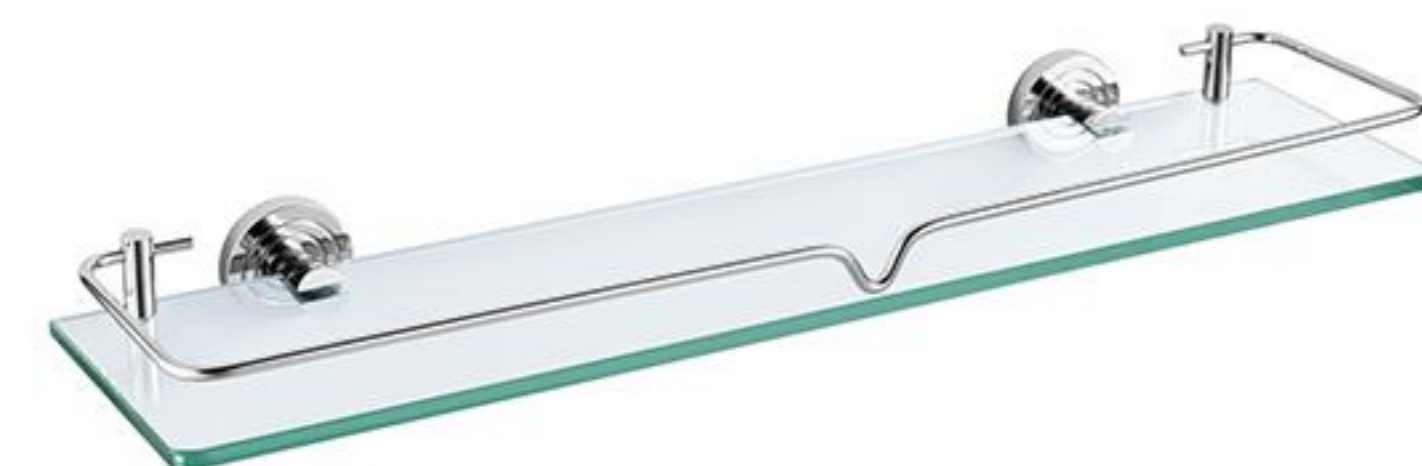
81759



81760



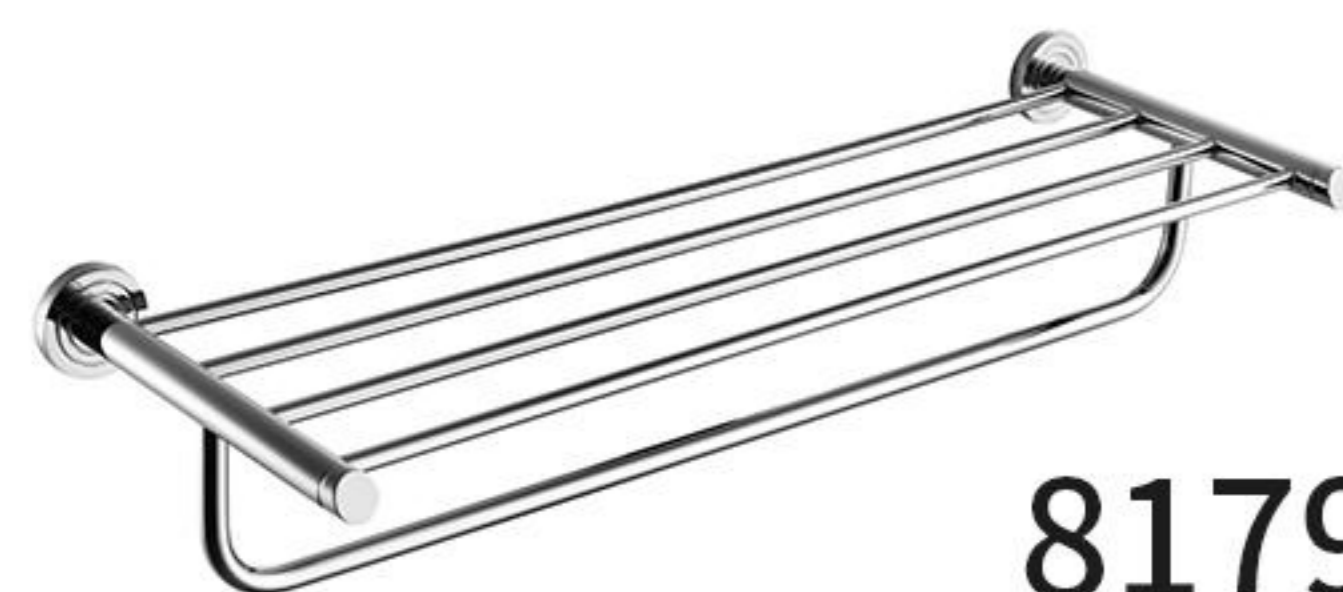
81763



81759



81792



81798

85200NG series



85211NG



85212NG



85224NG



85248NG



85250NG



85251NG



85253NG



85258NG



85259NG



85260NG



85292NG



85298NG



95290NG

zinc alloy material

3700 series



3712



3749



3748



3751



3756



3790



3757



3758



3792



3759



3760



3798

8100 series



8124



8111



8151



8148



8156



8158



8090



8159



8192



8060

zinc alloy material

12300 series



12311



12324



12348



12351



12357



12358



12359



12360



12363

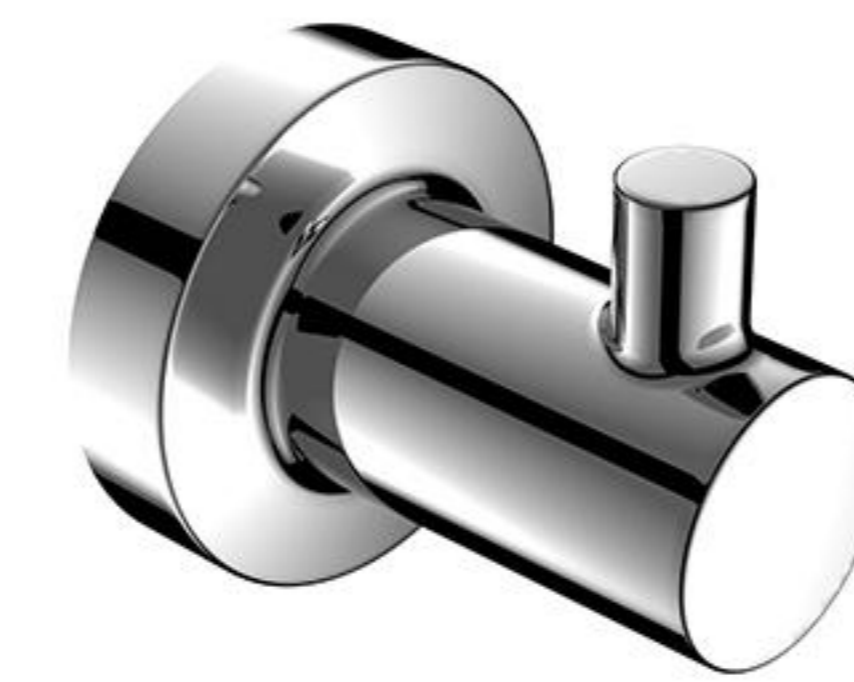


12392



12398

20900 series



20911



20924



20948



20951



20958



20959



20951



20990



20990B



20992



20998

zinc alloy material

50700 series



50711



50724



50751



50758



50759



50760



50763

82700 series



82711



82724



82748



82763



82751



82756



82757



82790



82758



82759



82760



82792



82798



82798B



82798B

the material of copper

85100 series



85112



85124



85148



85148OB



85151



85158



85159



85160



85165



85166



85190



85192



85198

85100OB series



85112OB



85124OB



85151OB



85158OB



85159OB



85160OB



85165OB



85166OB



85190OB



85192OB



85198OB

zinc alloy material

50300 series



50311



50351



50358



50359



50360



50363



50324



50390

50400 series



50411



50451



50458



50459



50460



50463



50424



50490

zinc alloy material

50500 series



50511



50550



50558



50559



50560



50563



50524

50600 series



50612



50651



50658



50659



50660



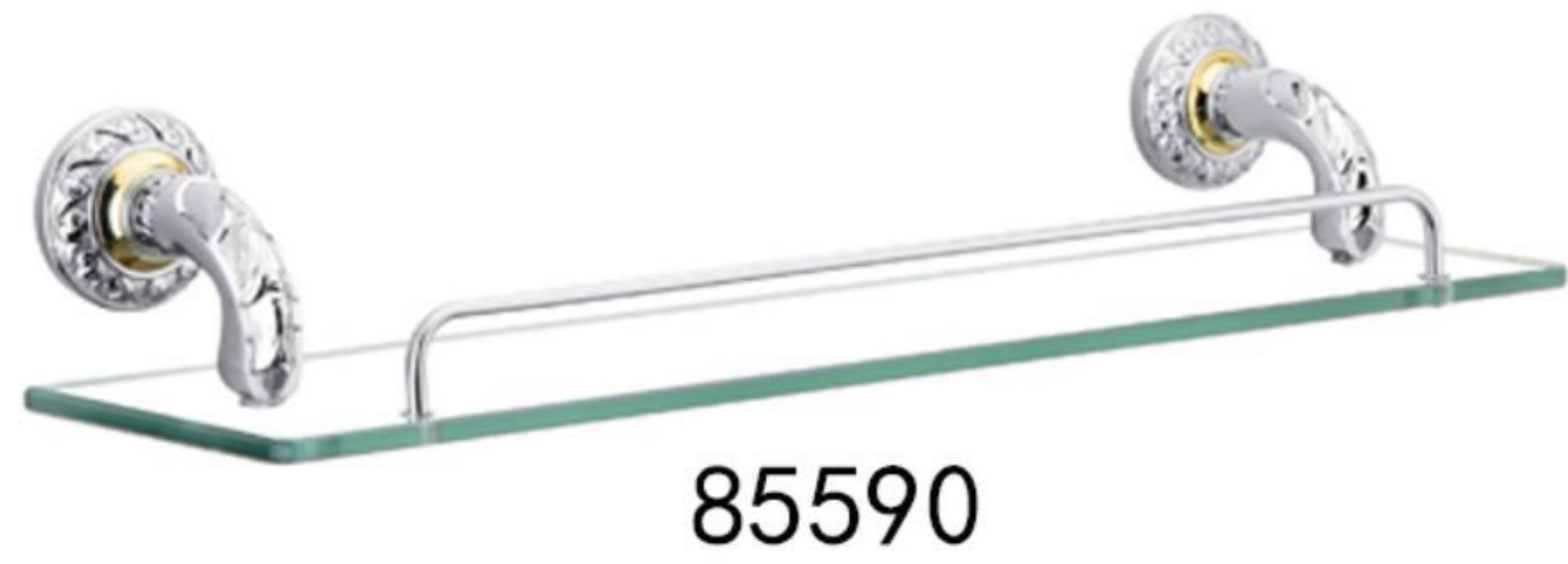
50663



50624

zinc alloy material

85500 series



82200 series



zinc alloy material

85500G series



85511G



85551G



85556G



85524G



85558G



85548G



85559G



85590G



85598G



85560G

85500RG series



85511RG



85551RG



85556RG



85524RG



85558RG



85548RG



85590RG



85559RG



85598RG



85560RG

zinc alloy material

85800G series



85812G



85851G



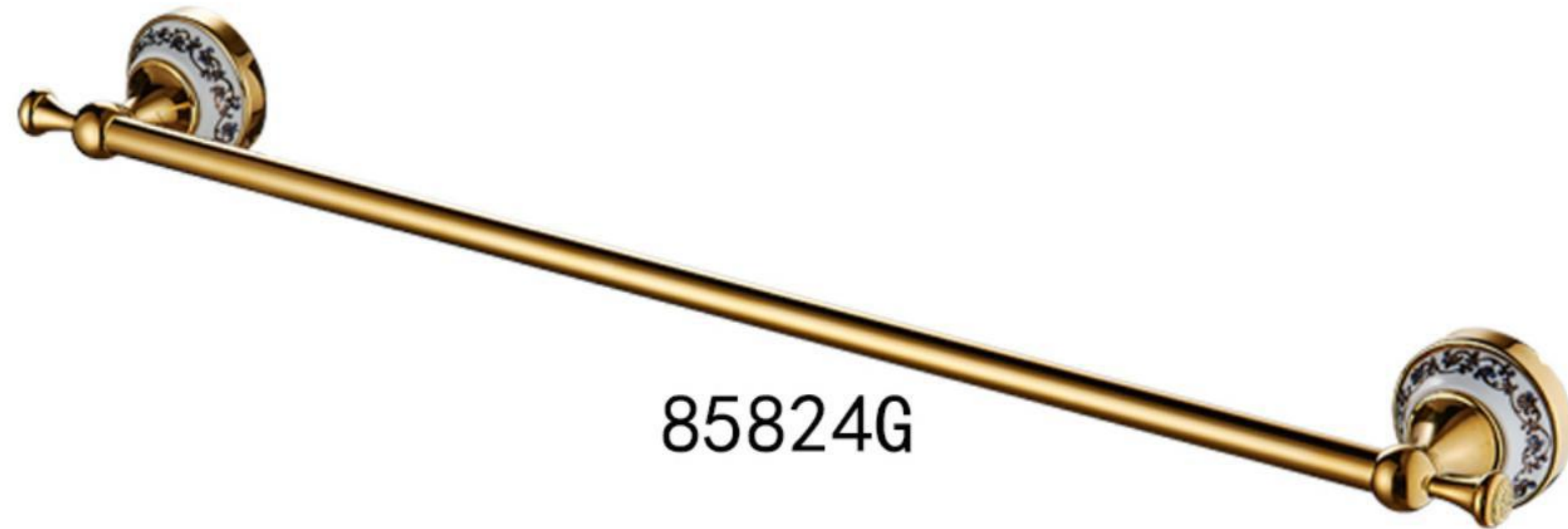
85858G



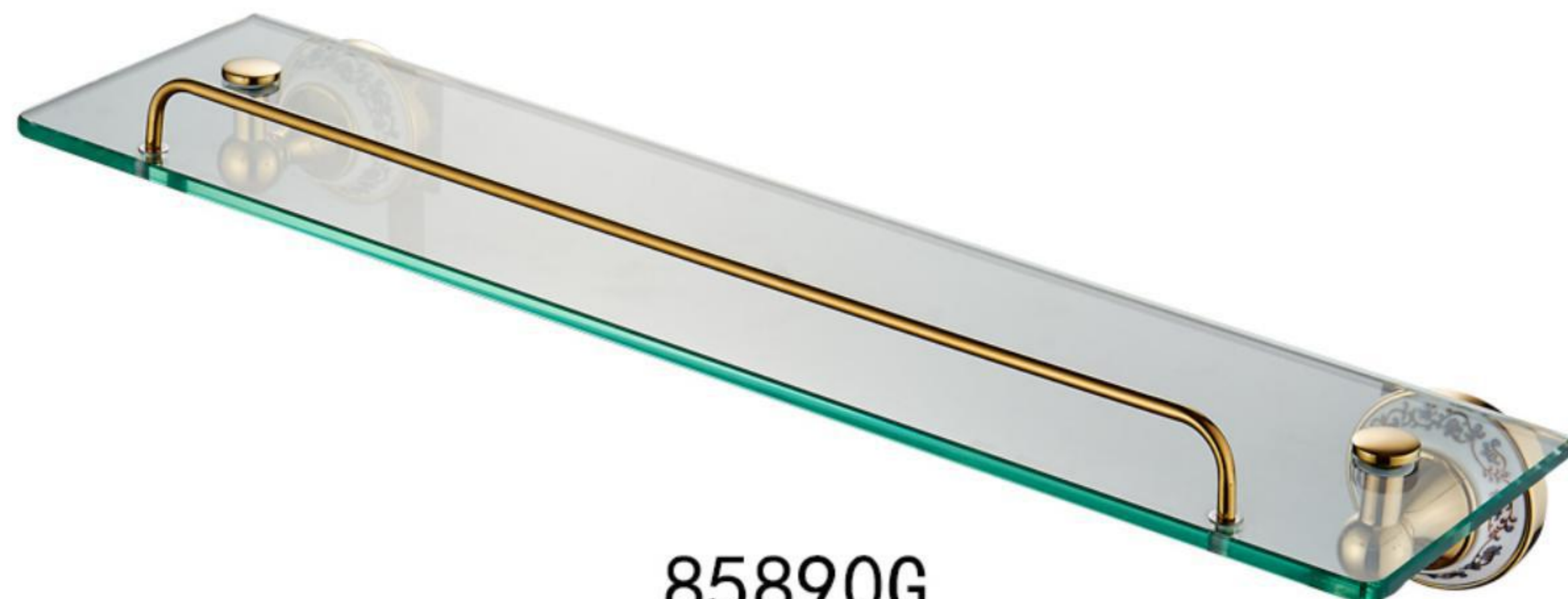
85859G



85860G



85824G



85890G

85800RG series



85812RG



85851RG



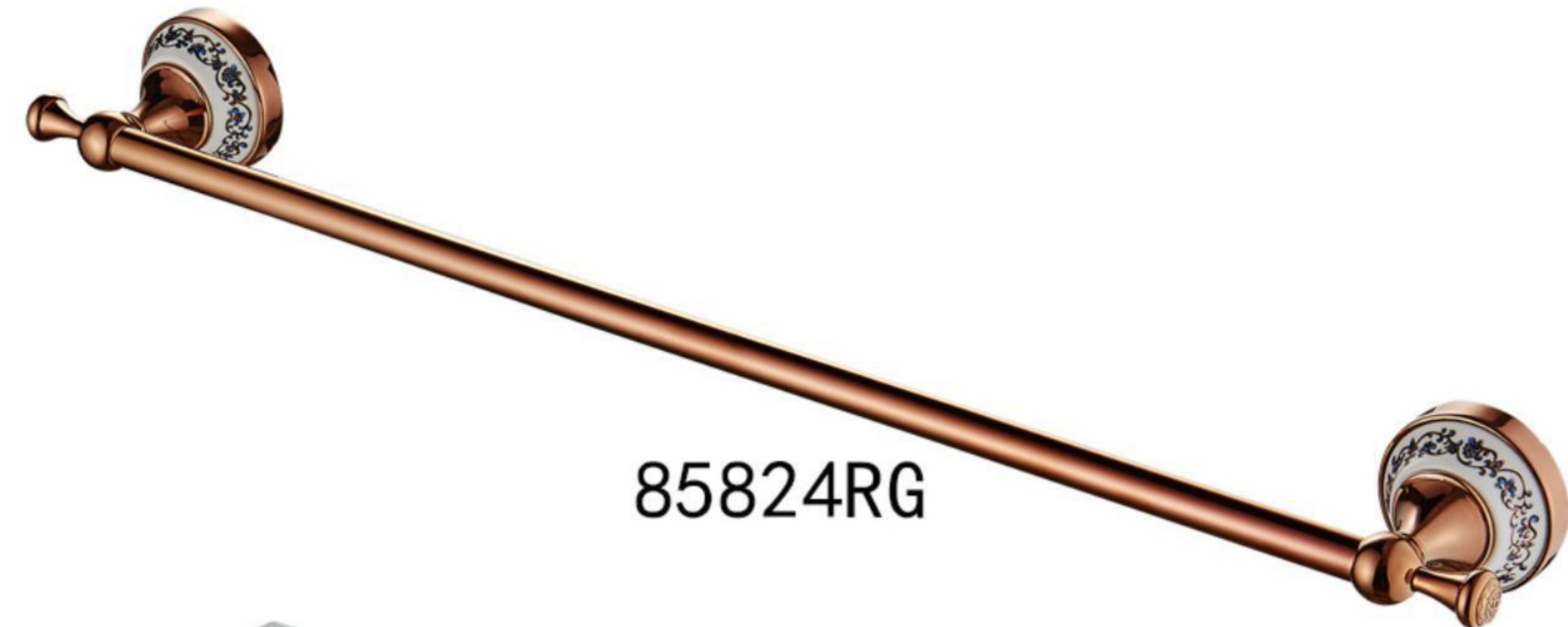
85858RG



85859RG



85860RG



85824RG



85890RG

Faucet



78101



78101-1



78101K



78101S



86201



86301



86301G



86401



78201



78201-1



78201G



1501



87101



87201



87301



88101



78301



78301G



78301RG



78501



88101-1



88201



88201-1



88301



78501G



78601



78601-1



86101



88501



78205



78605



1505

Faucet & Accessories



3205N



78305



78305G



78505



243



263



810A-2



810B-1



810B-2



815-2



825-1



BT-02



BT-28



F19



F20



F26



F27



F31



F32



F33



PS-1015



PS-1027



PS-1030



PS-1031



Shower



78109



78109A



78209



SH-863A



SH-864A



SH-1001



78309AG



78509A



SH-821A



SH-1001A



SH-1002



SH-1002A



SH-822A



SH-826A



SH-833B



SH-9001A



SH-9002A



SH-865A

Shower screen



6888



6986



6987



6994



6995



6998



6988



6989



6990



6999



7003



7005



6991



6989



6993



6999



7003



7005

Shower screen



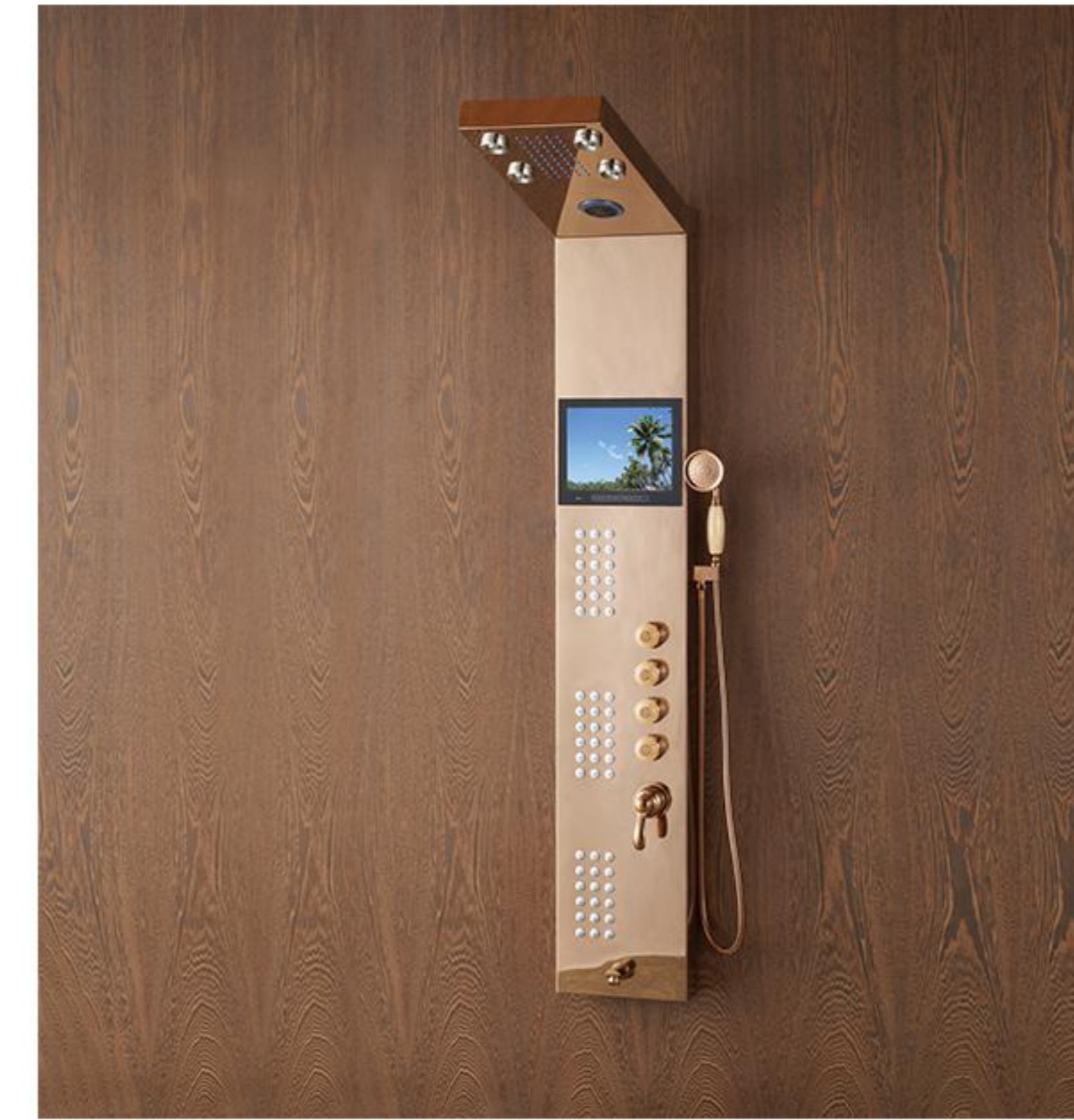
7012



7014



7015



7029



7030



7032



7022



7024



7025



7419



7007



7018



7026



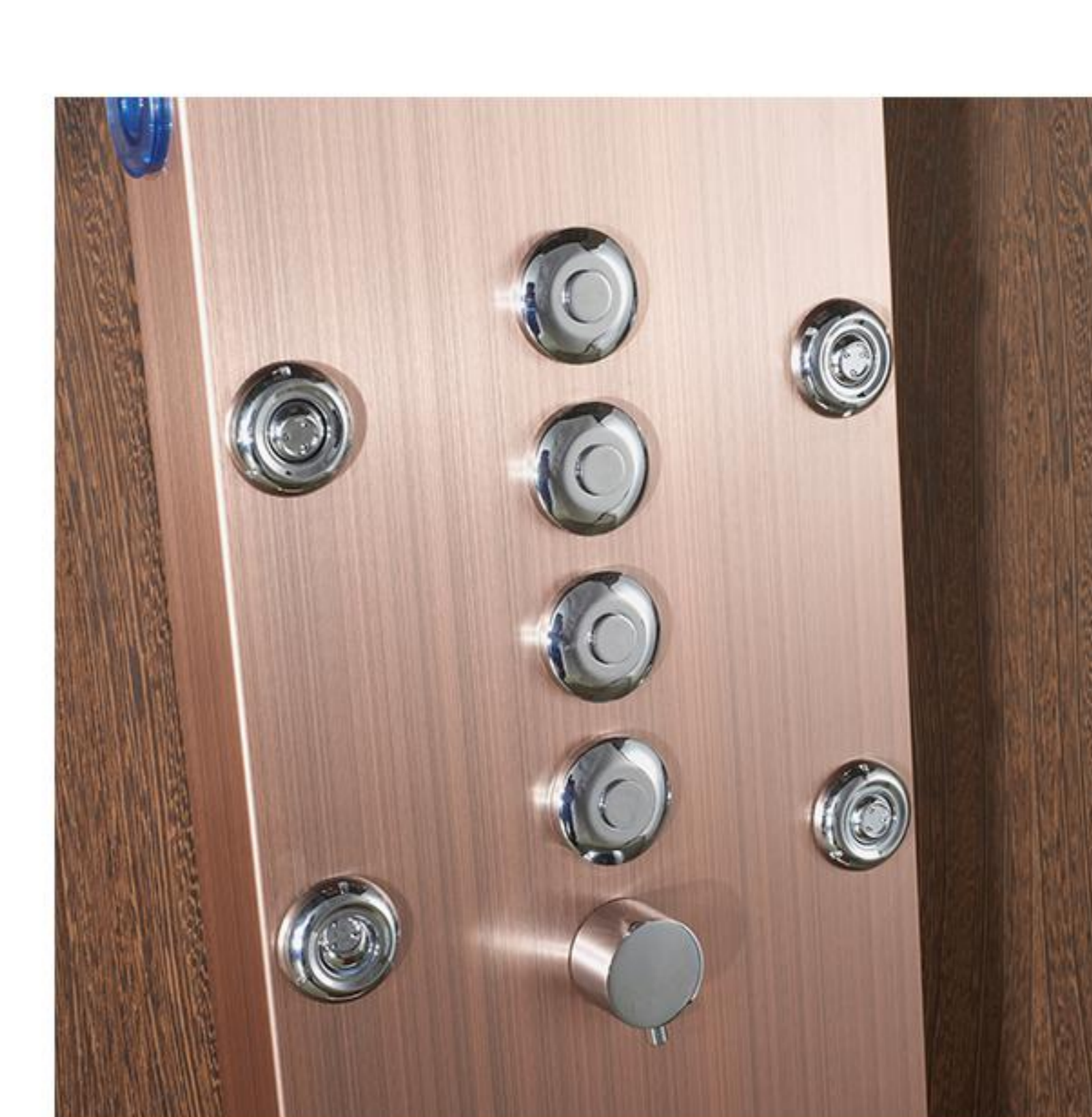
7027



7028



7019



FOSHAN HK BUILDING MATERIAL CO,.LTD

Mobile:0086-15918090620

Tel:0757-28821990

Email: cocoqiu1987@126.com

Whatsapp:+86-15918090620

Wechat:+86-15918090620

Website:www.hkbuildingmaterial.com